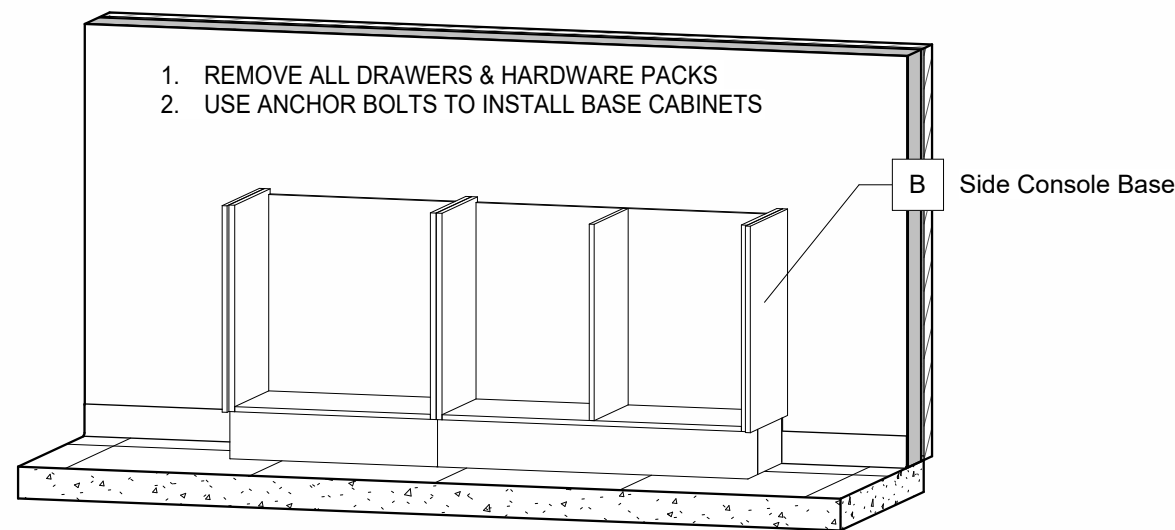


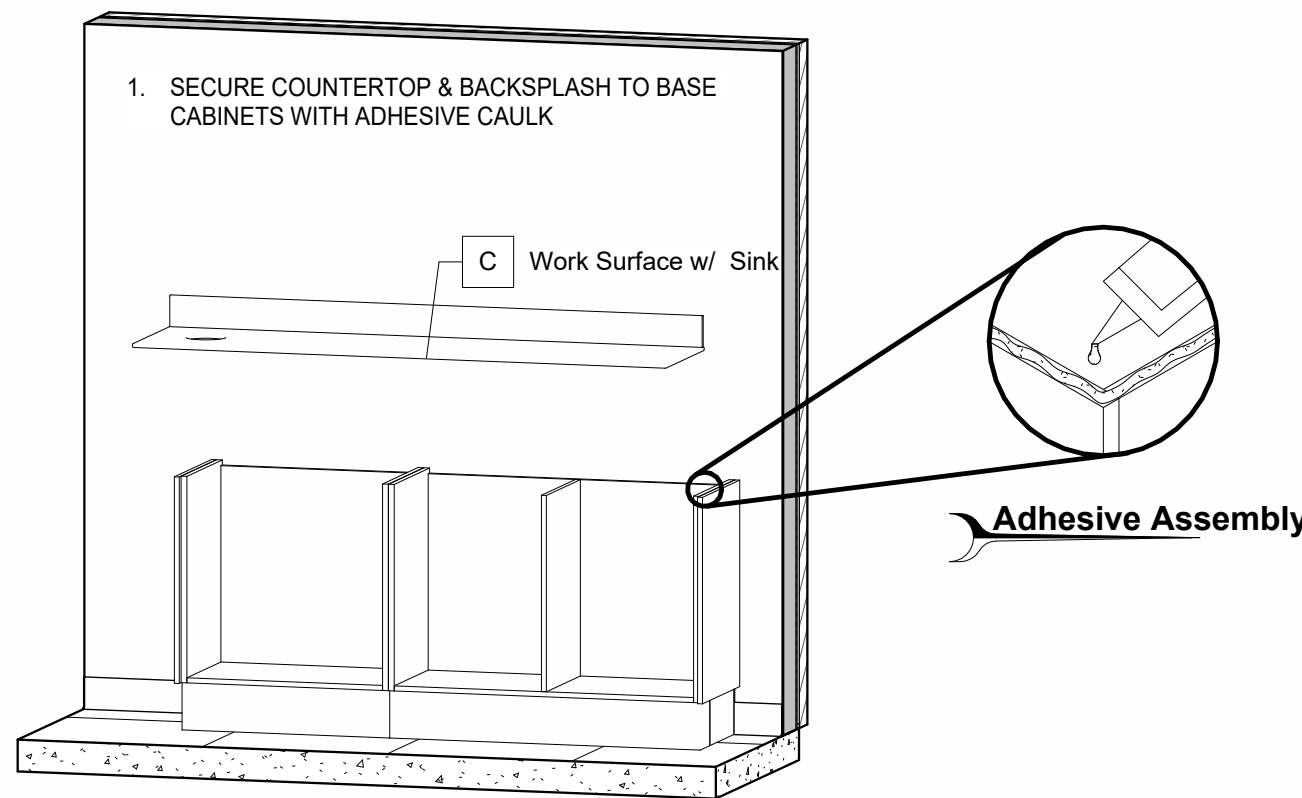
Backers	
Description	Length
2x6 Backer	5' - 8 19/32"
2x6 Backer	5' - 8 19/32"
	11' - 5 3/16"

1 Utilities Location

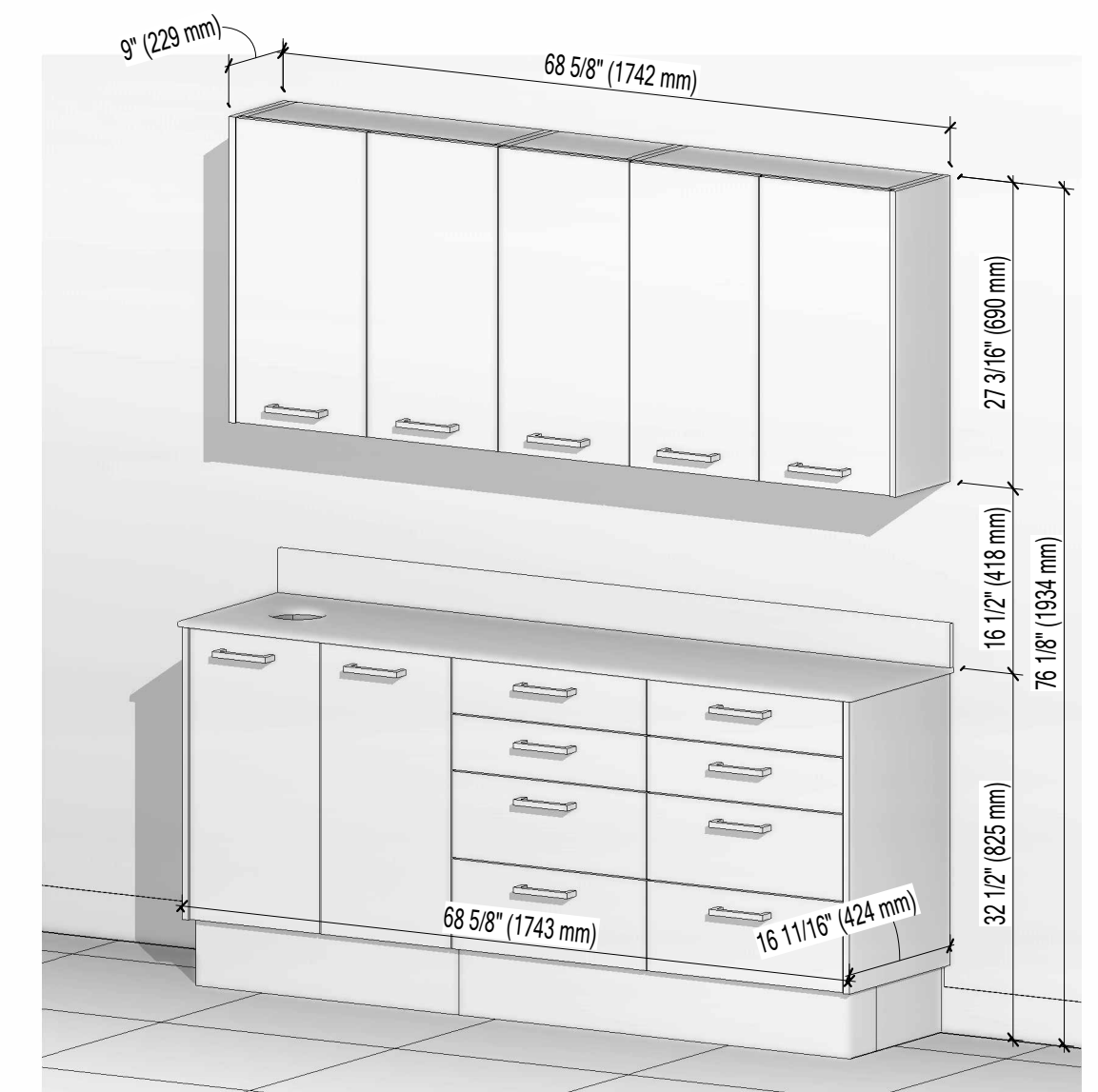
Packing List		
Mark	Description	Qty
	#12 3" Wood Screws	8
	Anchor Bolts	8
	Tube of Caulk	1
B	Side Console Base	1
C	Work Surface w/ Sink	1
P1	Door/Drawer Pull	15
U	Upper Storage Cabinet	1



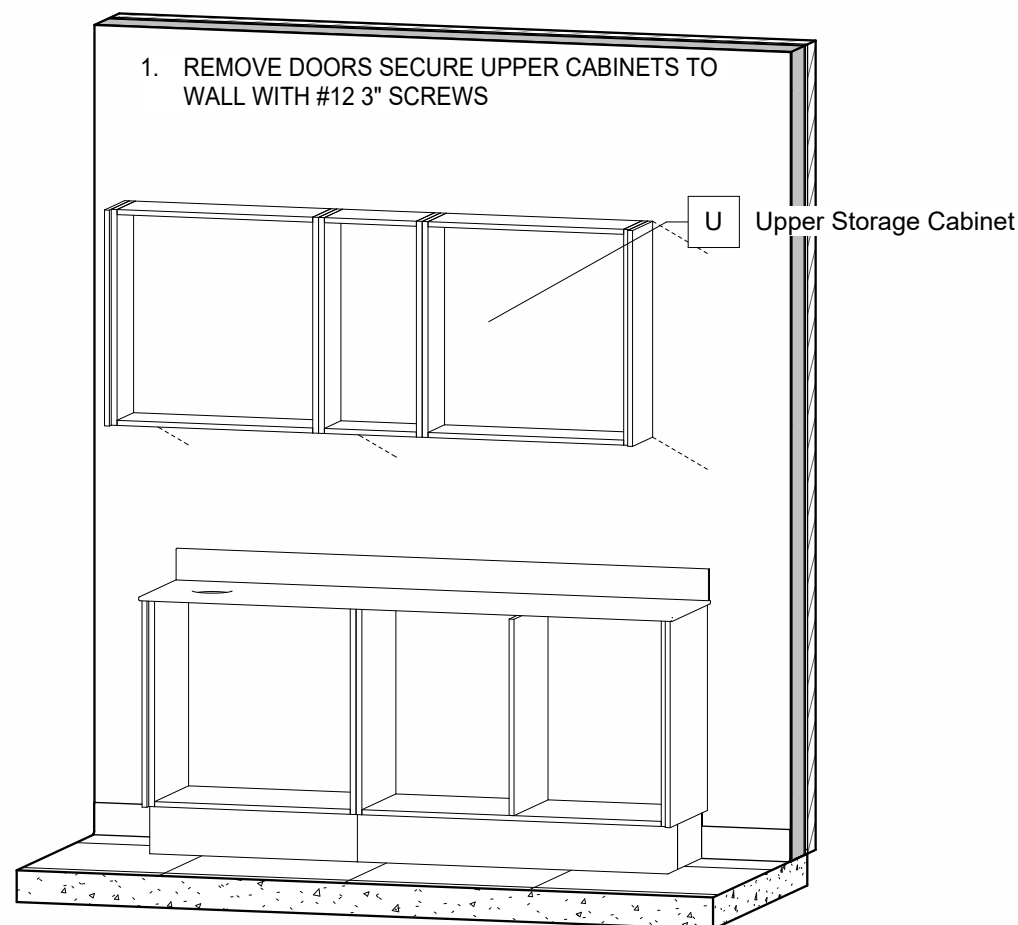
2.1 Install Base Cabinets



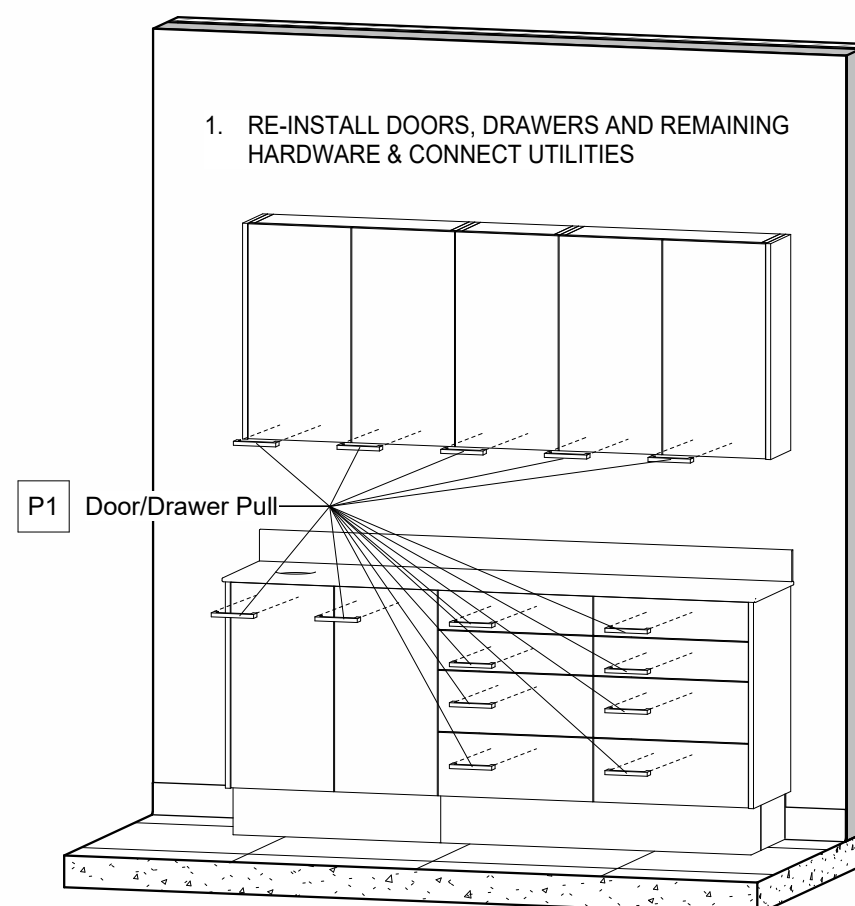
2.2 Install CounterTop



3 Final Installation View



2.3 Install Upper Cabinets



2.4 Install Hardware



Installation Drawing		Prepared for: Nova Solutions Inc.
LINEA		
Project	SIDE TREATMENT CENTER	I-1
Item #	ALSTC 03M-000-U39	
Drawn by:	Justin Martin	09/27/24
		Rev: 1