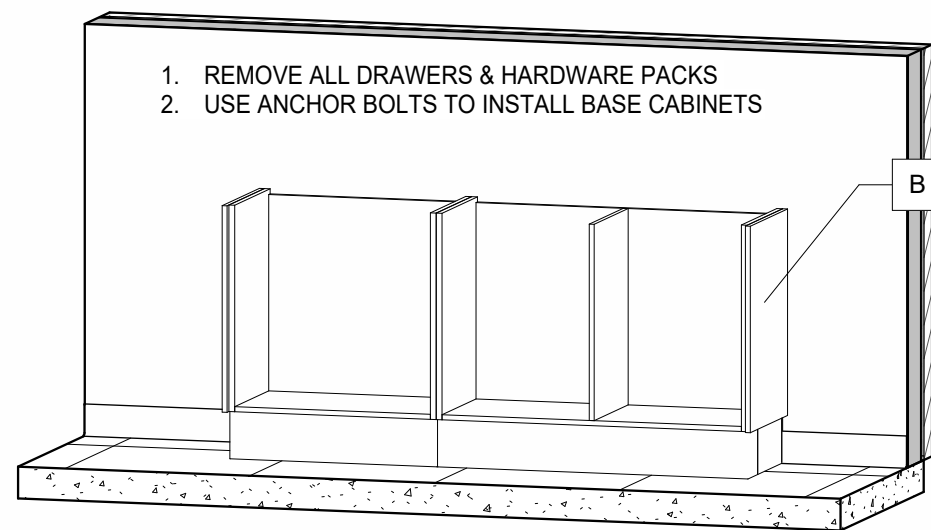


Backers	
Description	Length
2x6 Backer	2' - 4 7/32"
2x6 Backer	2' - 4 7/32"
	4' - 8 13/32"

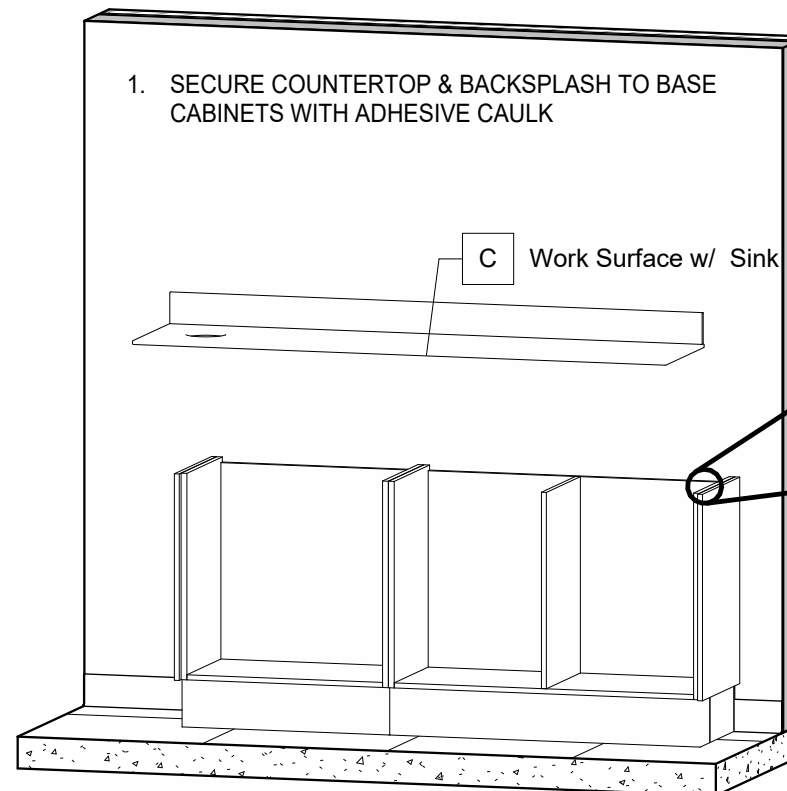
1 Utilities Location

Packing List		
Mark	Description	Qty
	#12 3" Wood Screws	4
	Anchor Bolts	8
	Tube of Caulk	1
B	Side Console Base	1
C	Work Surface w/ Sink	1
P1	Door/Drawer Pull	12
U	Upper Dispense Cabinet	1



1. REMOVE ALL DRAWERS & HARDWARE PACKS
2. USE ANCHOR BOLTS TO INSTALL BASE CABINETS

B Side Console Base



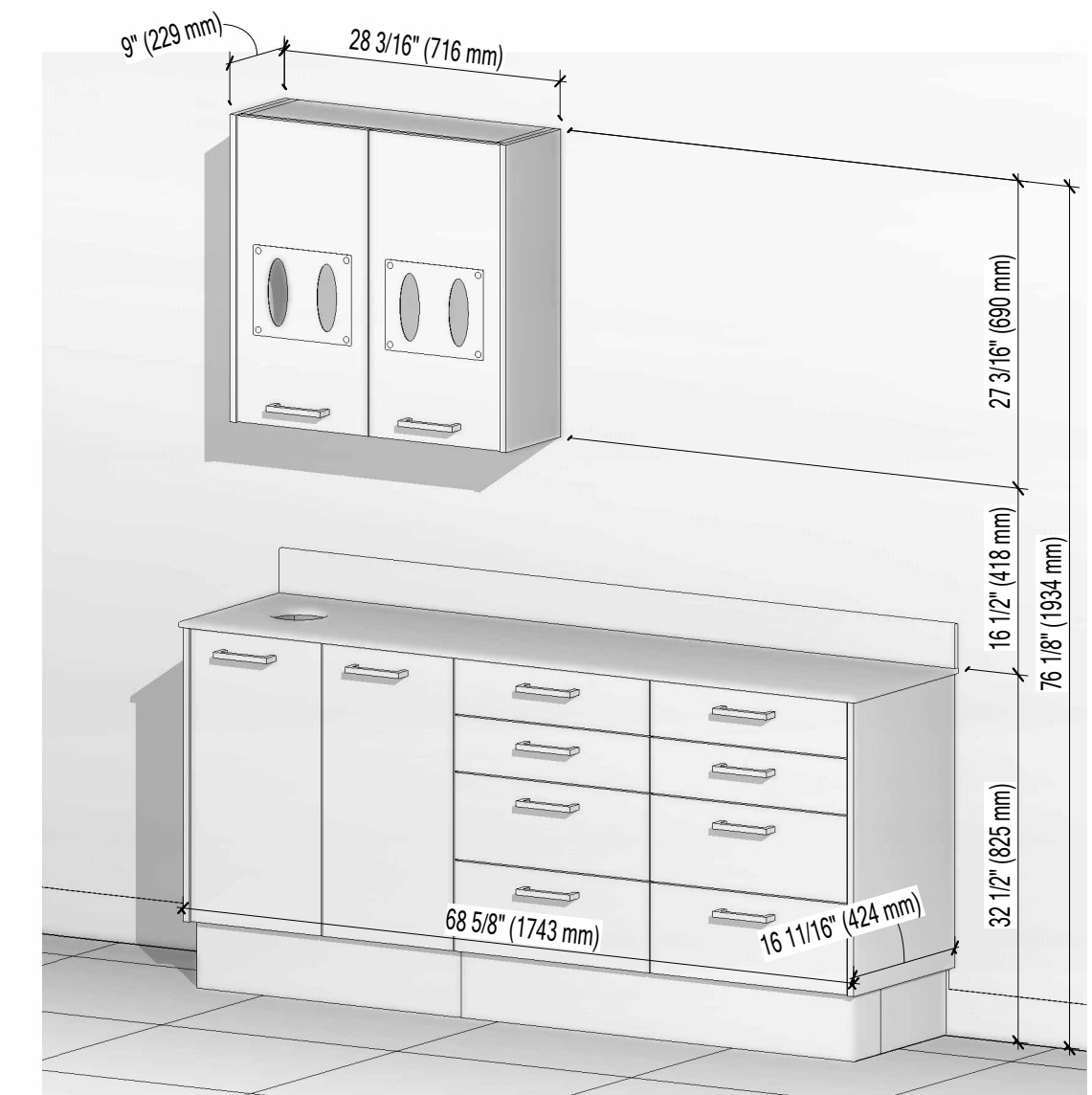
1. SECURE COUNTERTOP & BACKSPLASH TO BASE CABINETS WITH ADHESIVE CAULK

C Work Surface w/ Sink

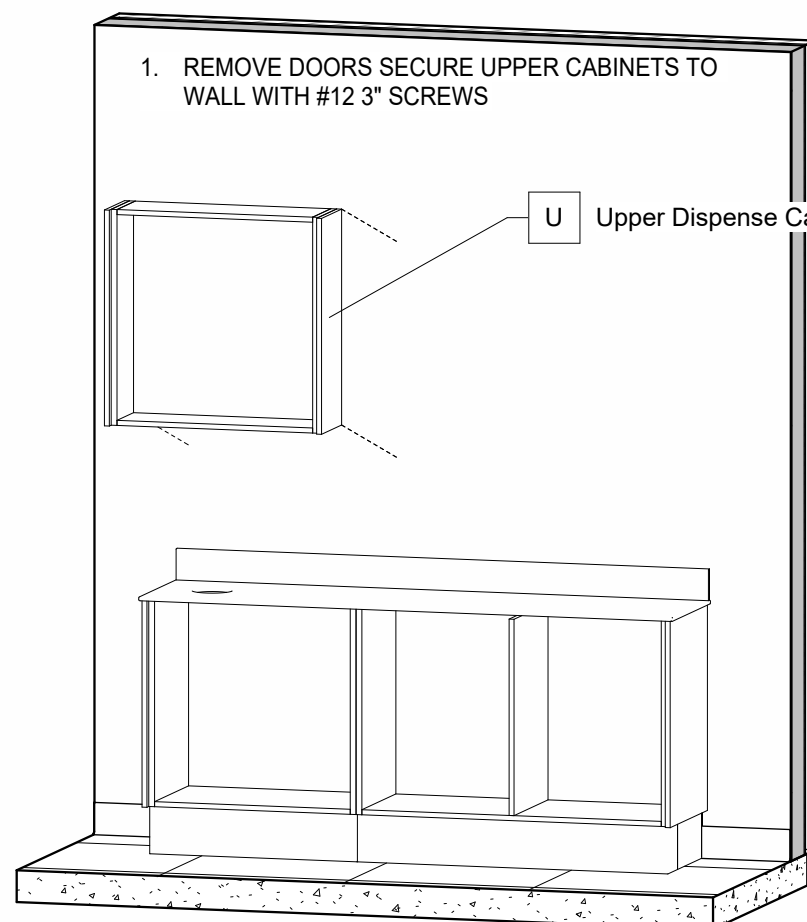
Adhesive Assembly

2.1 Install Base Cabinets

2.2 Install CounterTop



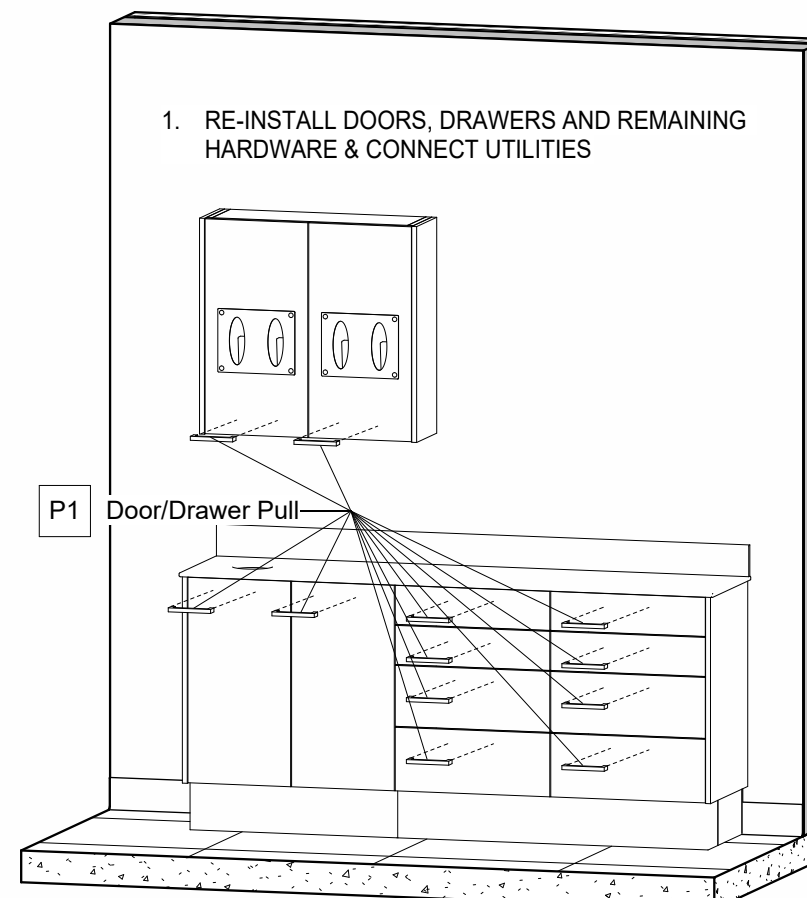
3 Final Installation View



1. REMOVE DOORS SECURE UPPER CABINETS TO WALL WITH #12 3" SCREWS

U Upper Dispense Cabinet

2.3 Install Upper Cabinets



1. RE-INSTALL DOORS, DRAWERS AND REMAINING HARDWARE & CONNECT UTILITIES

P1 Door/Drawer Pull

2.4 Install Hardware



Installation Drawing		Prepared for: Nova Solutions Inc.
LINEA		
Project	SIDE TREATMENT CENTER	I-1
Item #	ALSTC 03M-000-U31	
Drawn by:	Justin Martin	09/27/24
		Rev: 1