



Sales Drawing Render

Prepared for: NOVA Solutions Inc.



NOVA Solutions Inc.  
217-342-7070

sales@novasolutionsinc.com

**LINEA**

Project SIDE TREATMENT CENTER

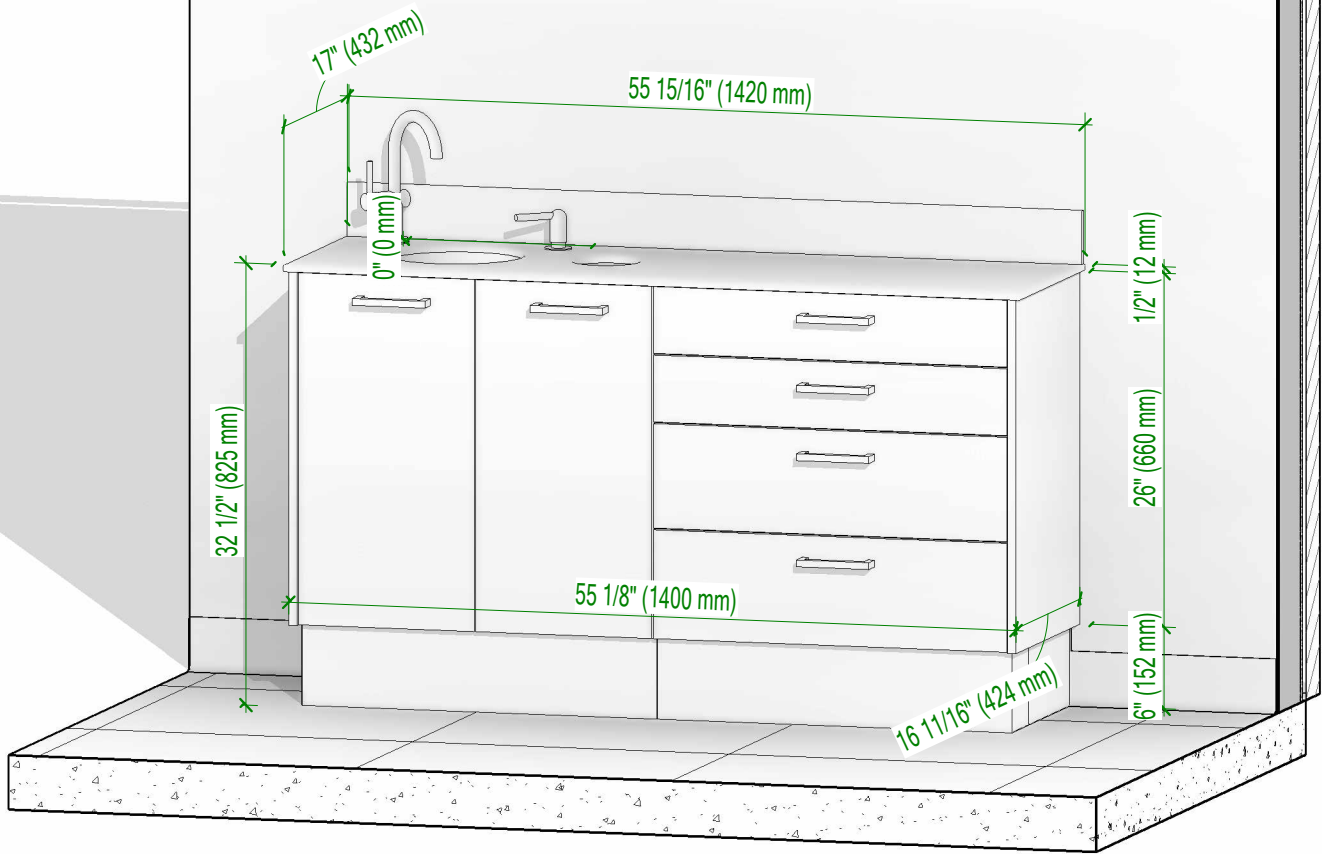
Item # ALSTC 03E-000-U00

Drawn by: Justin Martin

Date: 09/05/24

**S-0**

Rev: 1



1 Sales Front

**anthos**  
 NOVA Solutions Inc.  
 217-342-7070  
 sales@novasolutionsinc.com

Sales Drawing		Prepared for: NOVA Solutions Inc.
<b>LINEA</b>		
Project	SIDE TREATMENT CENTER	<b>S-1</b>
Item #	ALSTC 03E-000-U00	
Drawn by: Justin Martin	Date: 09/05/24	Rev: 1