



Sales Drawing Render

Prepared for: NOVA Solutions Inc.



NOVA Solutions Inc.
217-342-7070

sales@novasolutionsinc.com

LINEA

Project SIDE TREATMENT CENTER

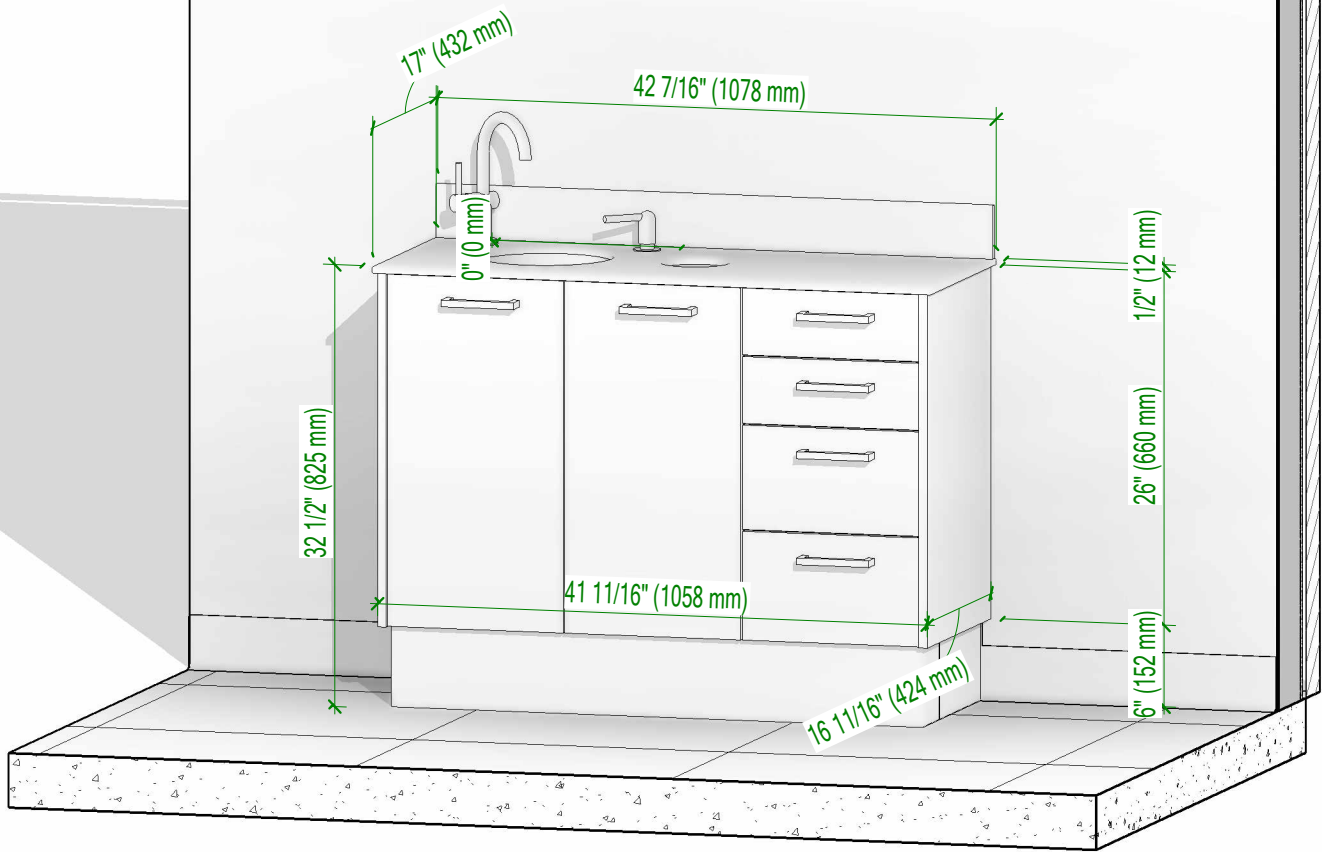
Item # ALSTC 03A-000-U00

Drawn by: Justin Martin

Date: 09/05/24

S-0

Rev: 1



1 Sales Front

Sales Drawing

Prepared for: NOVA Solutions Inc.



NOVA Solutions Inc.
217-342-7070
sales@novasolutionsinc.com

LINEA

Project	SIDE TREATMENT CENTER
Item #	ALSTC 03A-000-U00
Drawn by: Justin Martin	Date: 09/05/24

S-1

Rev: 1