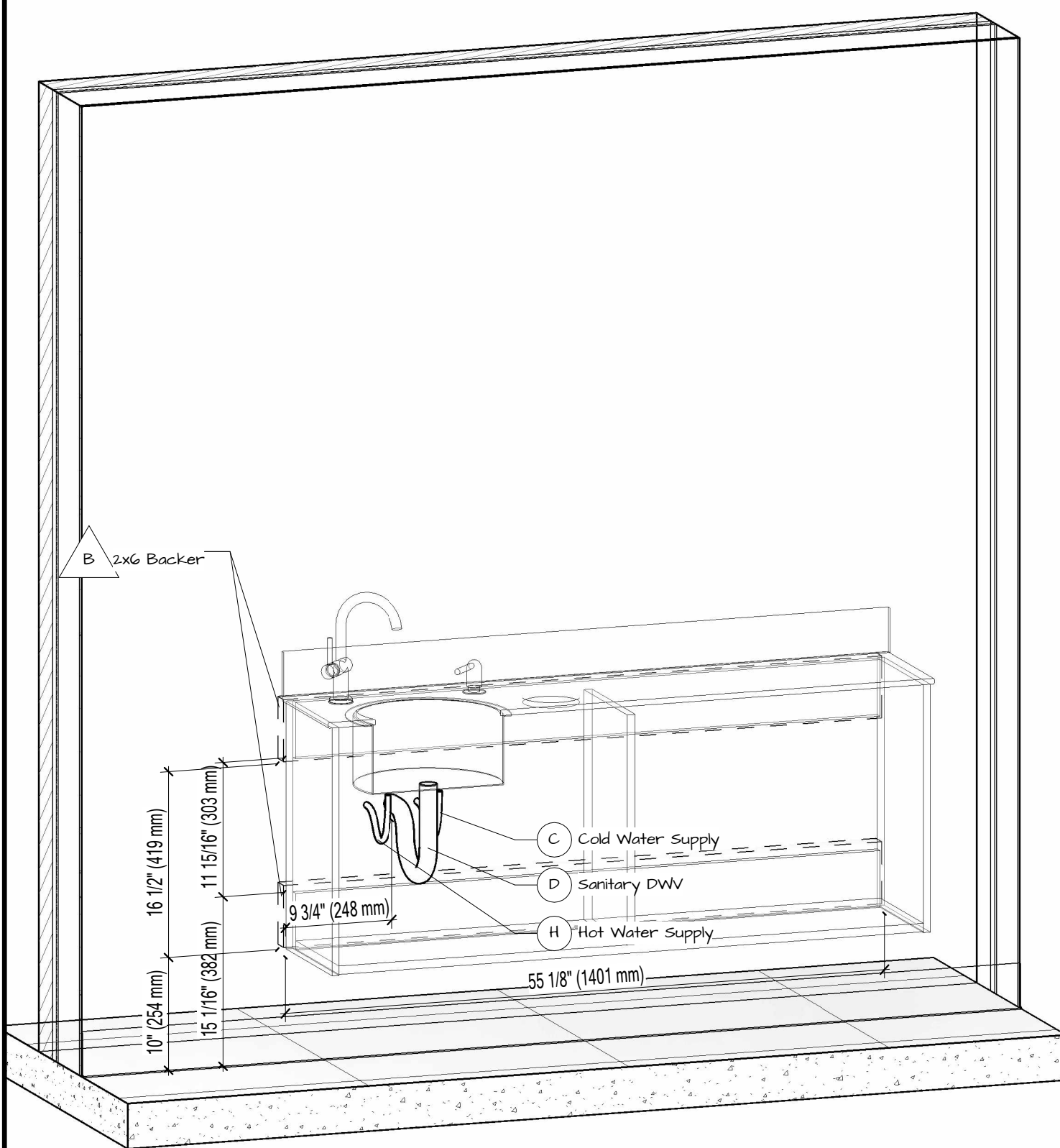


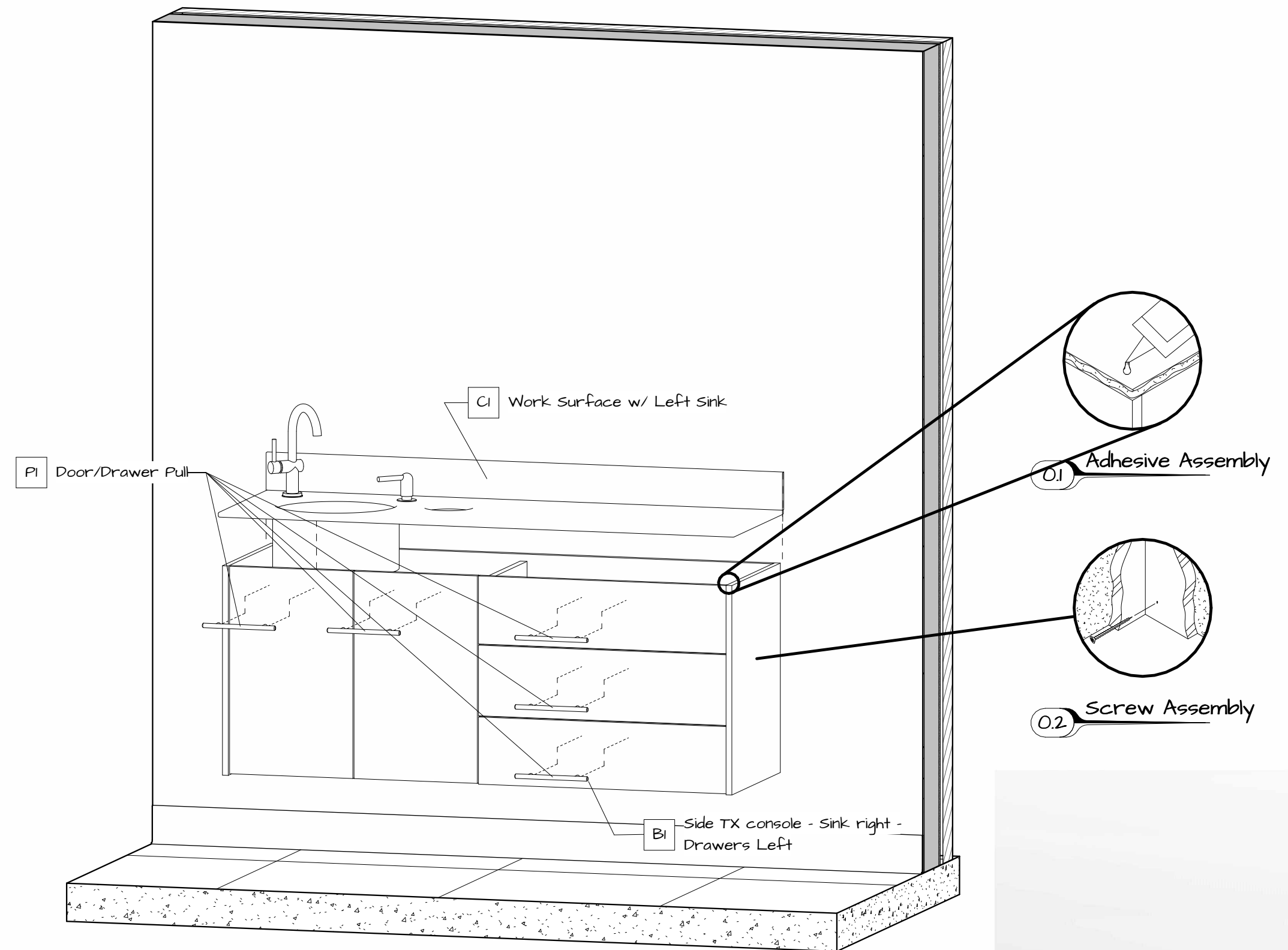
Packing List			
Mark	Model	Description	Qty
		Screws	6
BI	B31	Side TX console - Sink right - Drawers Left	1
CI	B31s	Work surface w/ Left Sink	1
PI		Door/Drawer Pull	5

Backers	
Description	Length
2x6 Backer	4' - 7 5/32"
2x6 Backer	4' - 7 5/32"
	9' - 2 5/16"

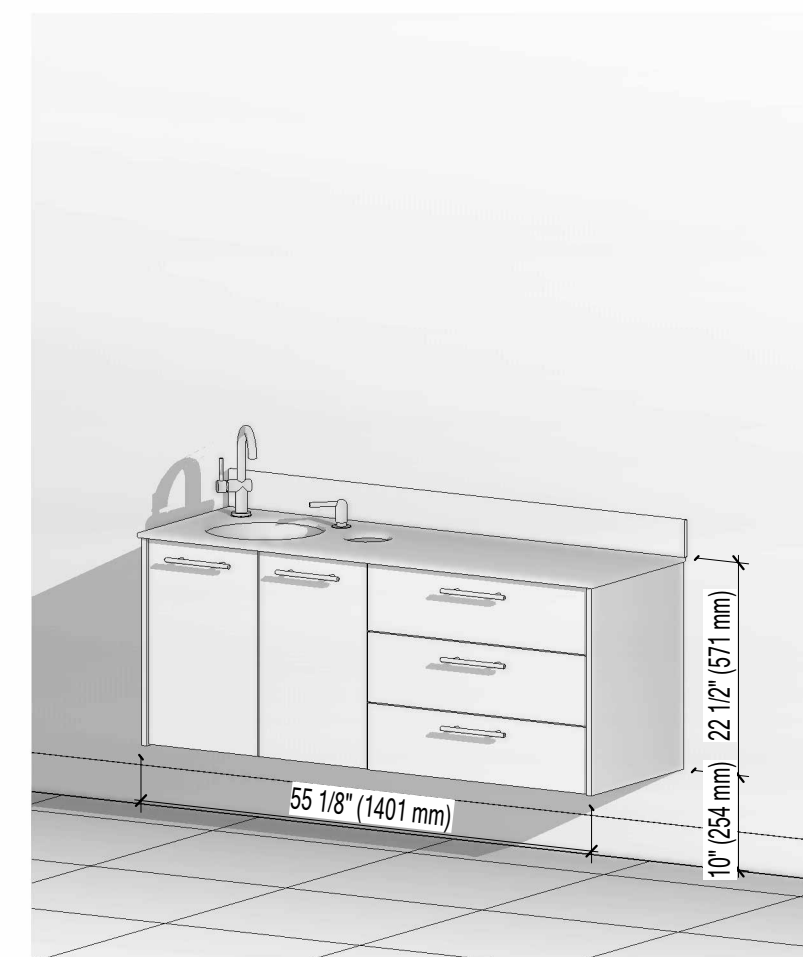
Utilities		
Mark	Description	Qty
H	Hot Water Supply	1
C	Cold Water Supply	1
D	Sanitary DWV	1



1 Utilities Location



2 Front Install



3 Final Installation View



NOVA Solutions Inc.
217-342-7070
sales@novasolutionsinc.com

Installation Drawing	
Title	ALSTC B31-H00-U00
Date	05/09/2024
Drawn by	Justin Martin