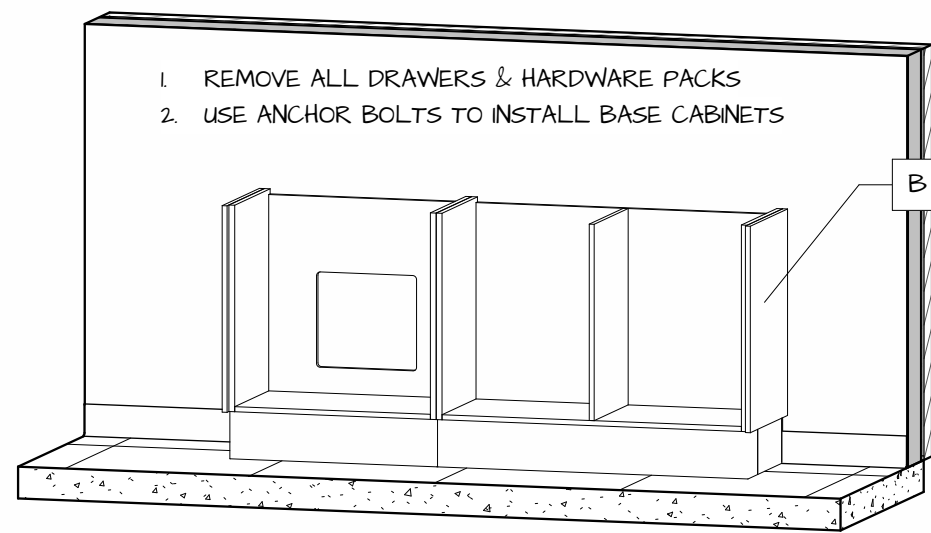
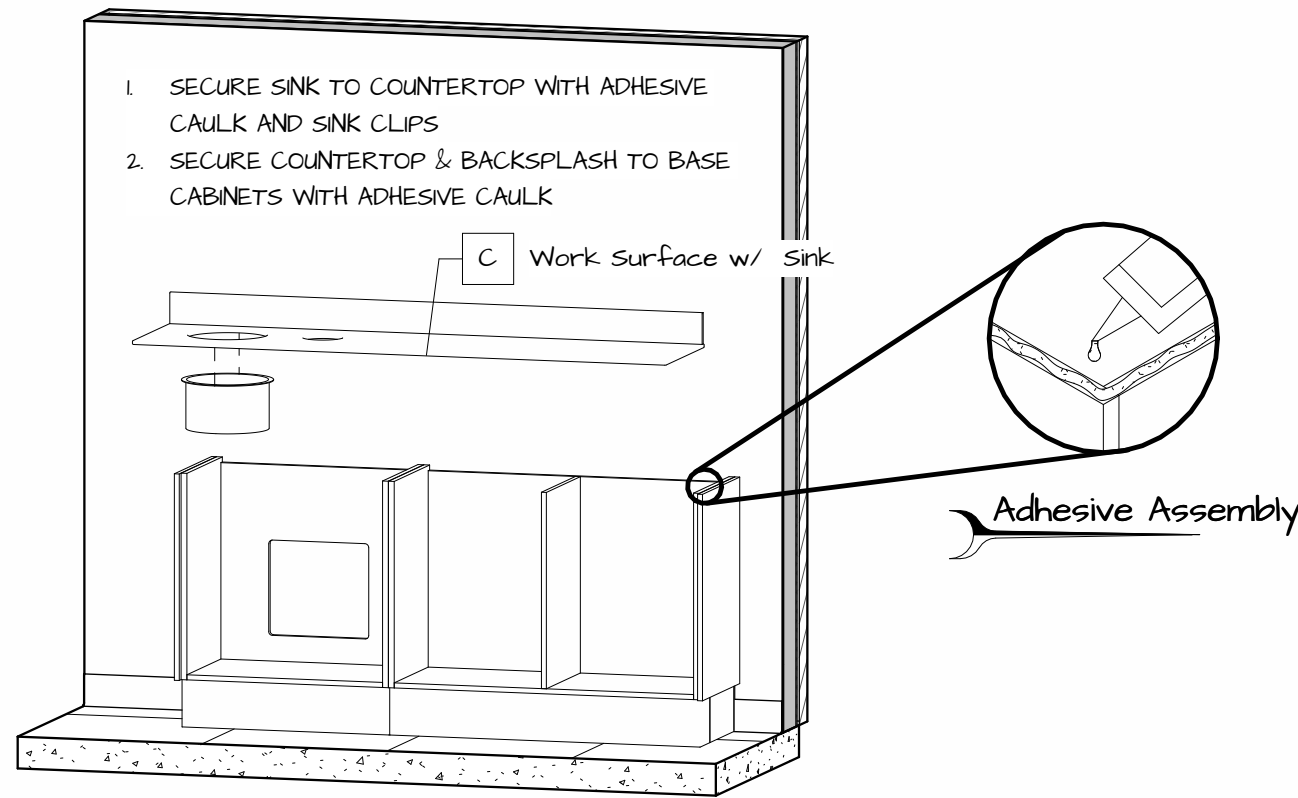


| Plumbing Utilities | | |
|--------------------|-------------------|-----|
| Mark | Description | Qty |
| H | Hot Water Supply | 1 |
| C | Cold Water Supply | 1 |
| D | Sanitary DWV | 1 |

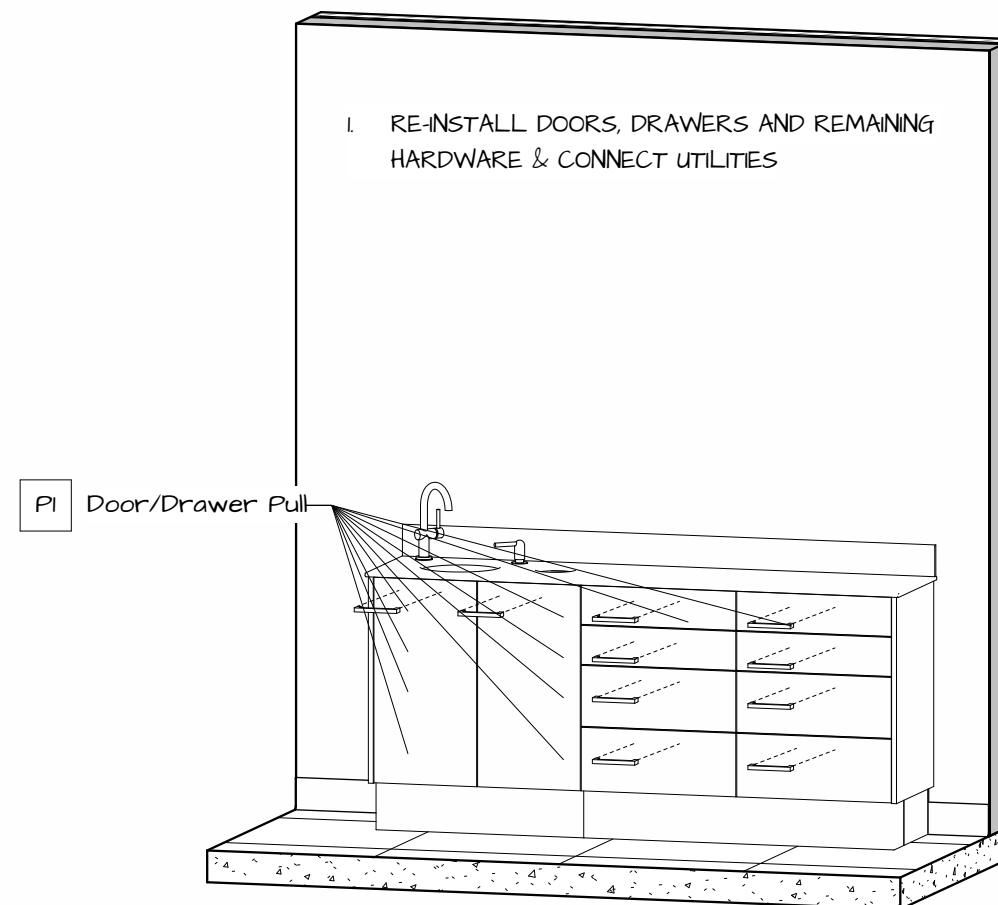
1 Utilities Location



2.1 Install Base Cabinets

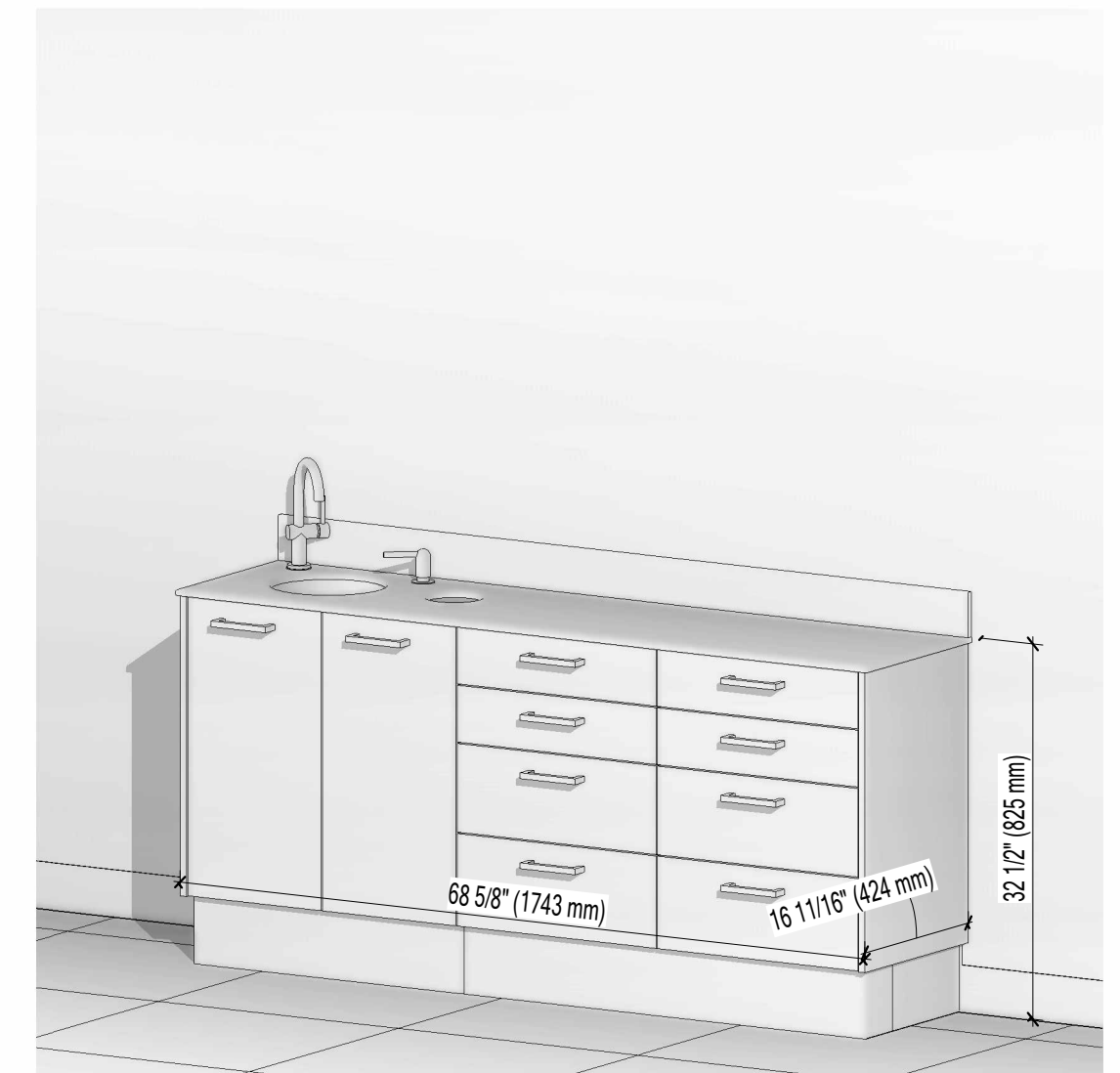


2.2 Install CounterTop



2.4 Install Hardware

| Packing List | | |
|--------------|----------------------|-----|
| Mark | Description | Qty |
| | Anchor Bolts | 8 |
| | Sink | 1 |
| | Strainer | 1 |
| | Tube of Caulk | 1 |
| B | Side Console Base | 1 |
| C | Work Surface w/ Sink | 1 |
| F | Faucet | 1 |
| PI | Door/Drawer Pull | 10 |
| S | Soap Dispenser | 1 |



3 Final Installation View



| Installation Drawing | | Prepared For: Nova Solutions Inc. |
|-------------------------|-----------------------|-----------------------------------|
| LINEA | | |
| Project | REAR TREATMENT CENTER | |
| Item # | ALSTC 03K-000-U00 | |
| Drawn by: Justin Martin | 09/18/24 | I-1 |
| | | Rev. 1 |