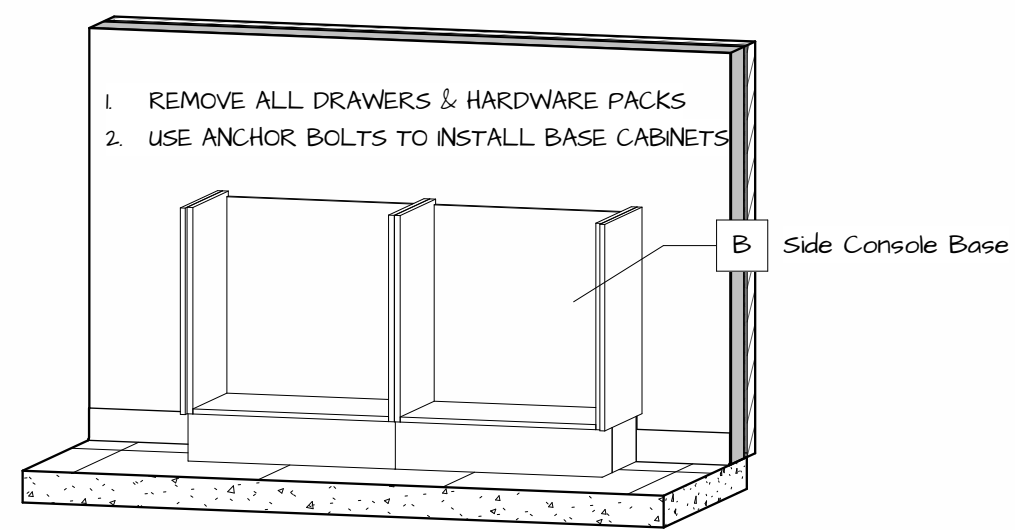
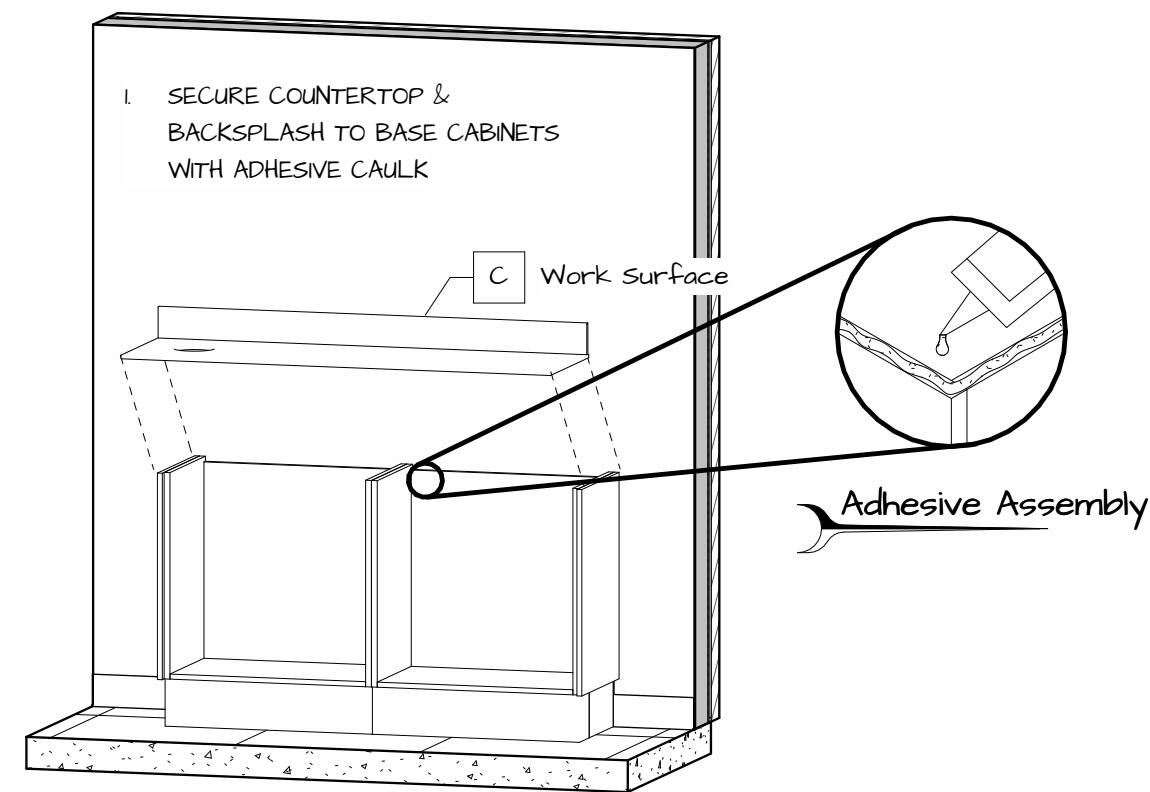


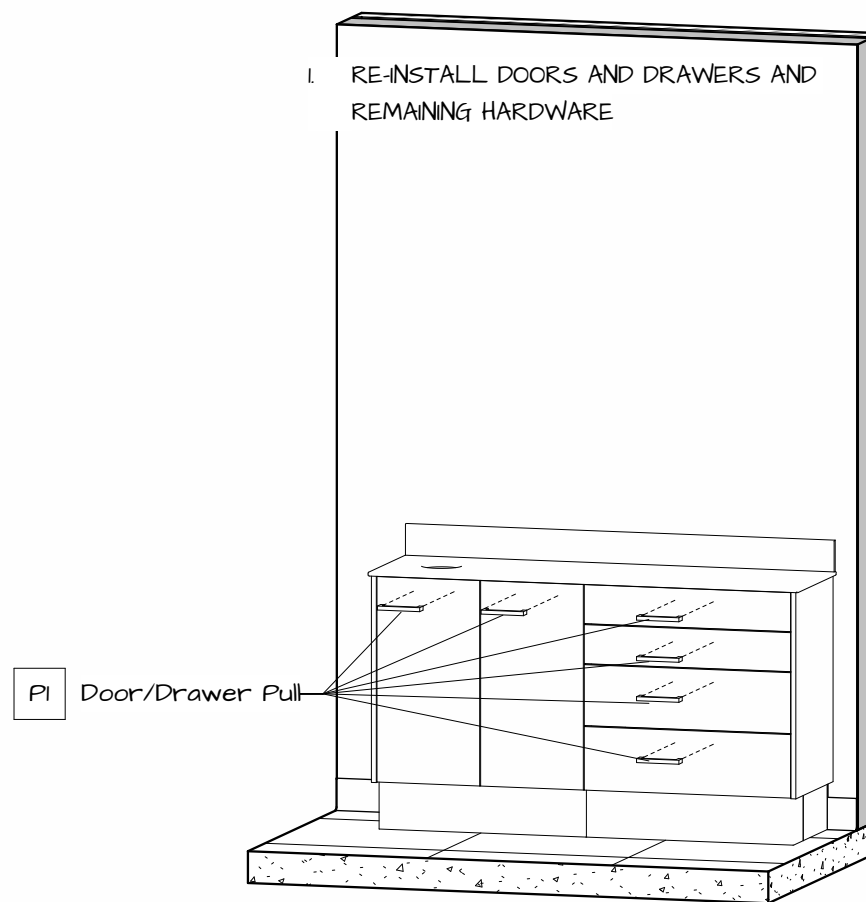
Packing List		
Mark	Description	Qty
	Anchor Bolts	8
	Tube of Caulk	1
B	Side Console Base	1
C	Work Surface	1
PI	Door/Drawer Pull	6



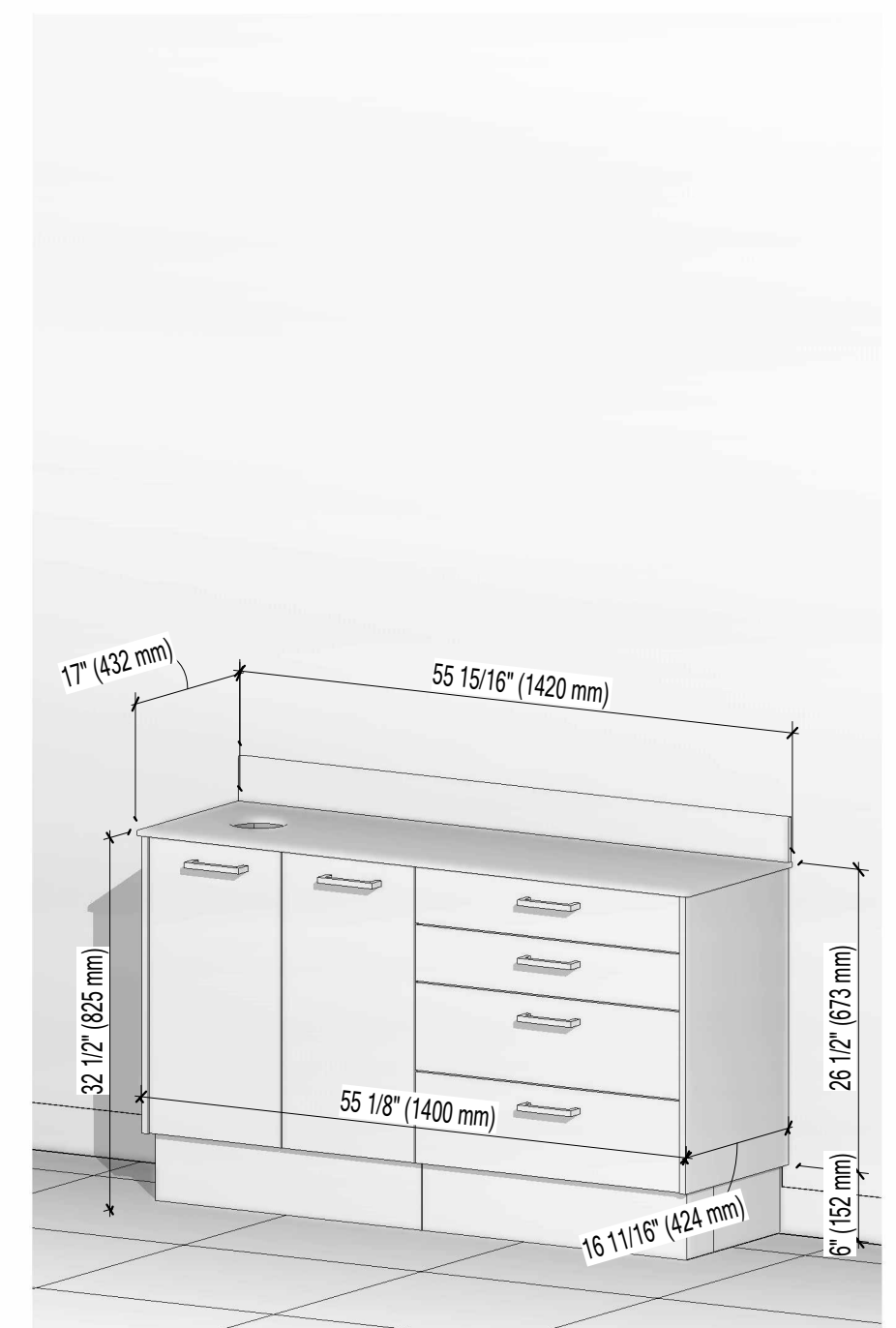
2.1 Install Base Cabinets



2.2 Install CounterTop



2.3 Install Hardware



3 Final Installation View



Installation Drawing		Prepared For: NOVA Solutions Inc.
LINEA		
Project	SIDE TREATMENT CENTER	I-1
Item #	ALSTC 03G-000-U00	
Drawn by:	Justin Martin	09/05/24
		Rev. 1