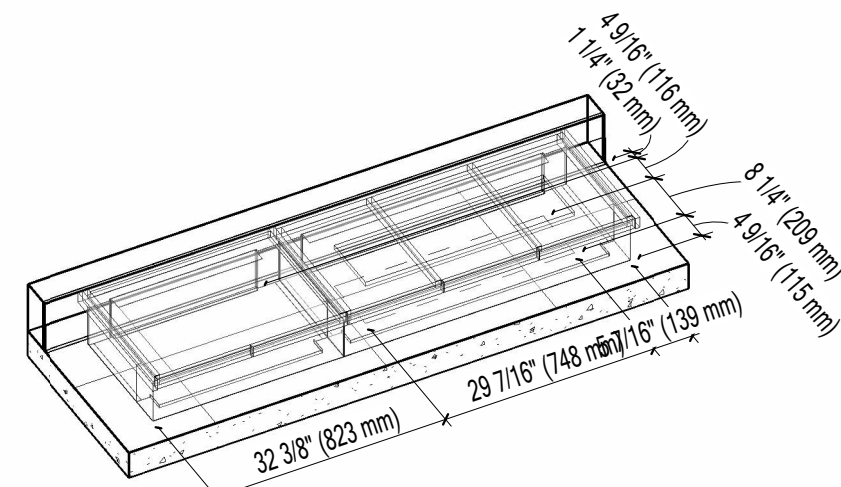
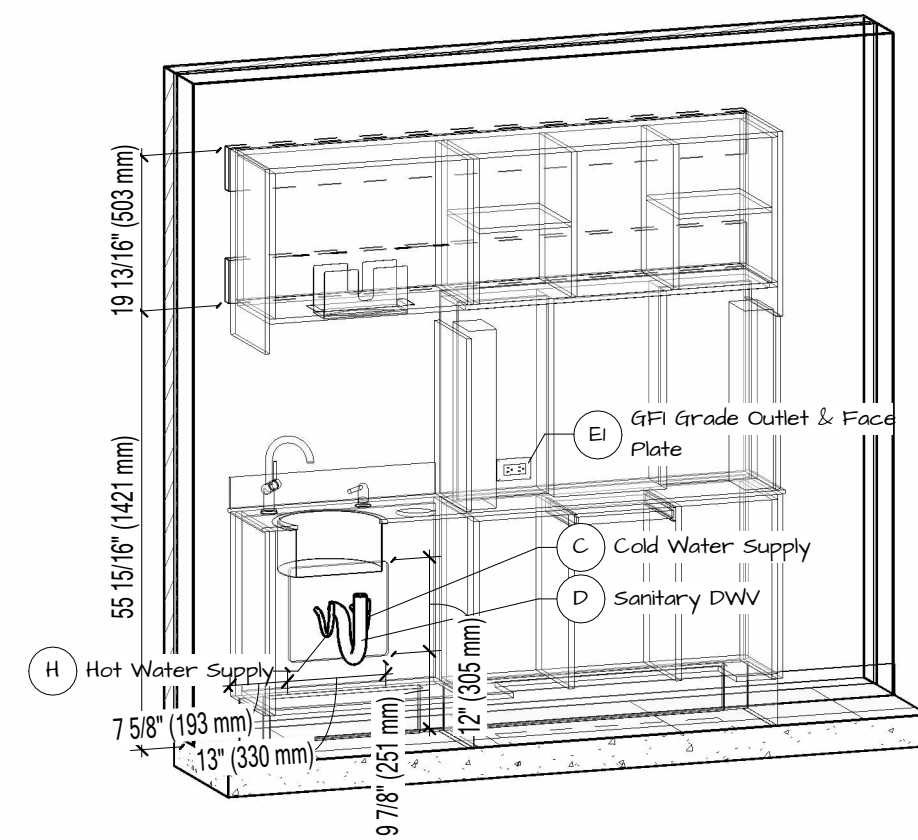


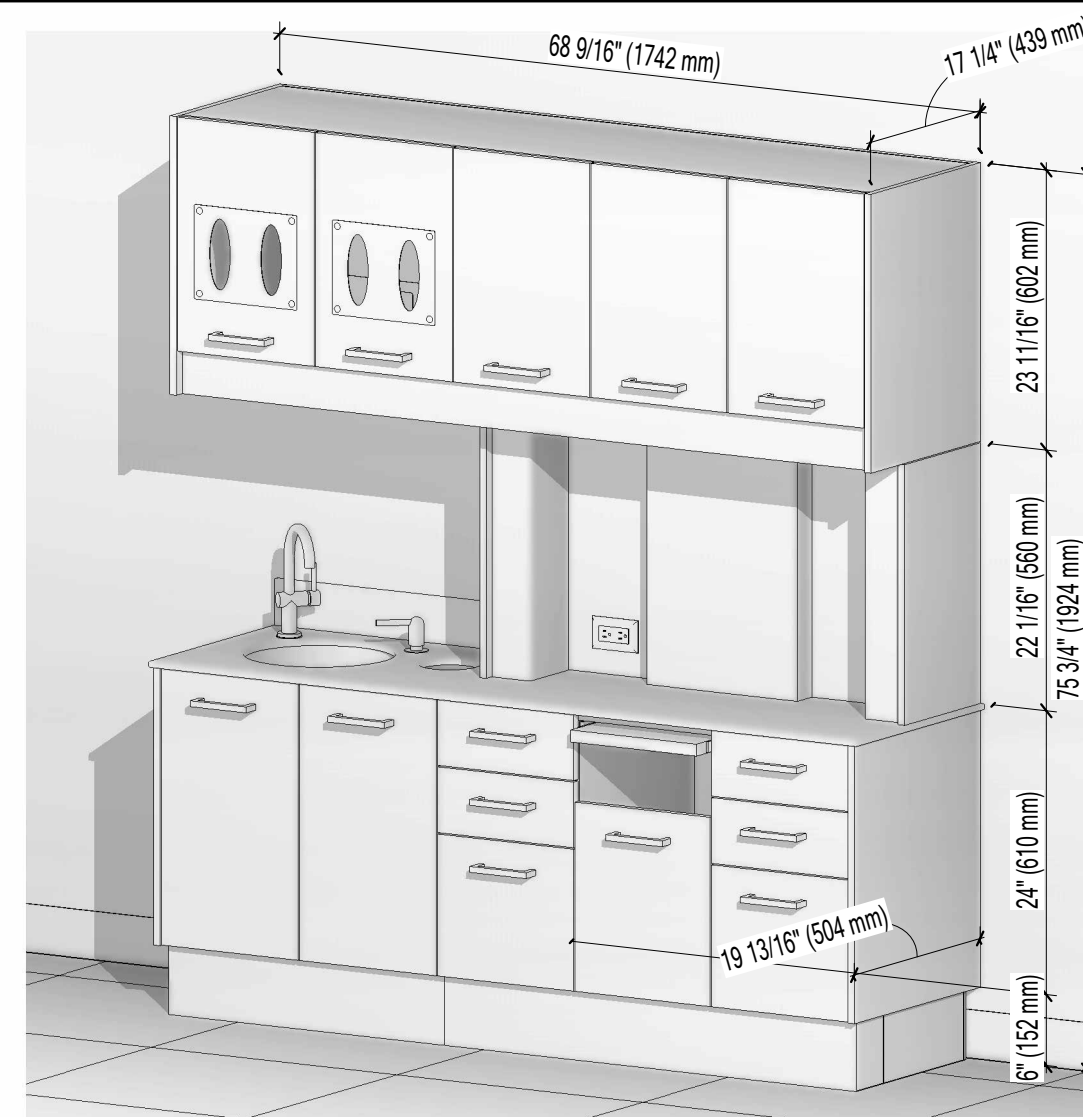
| Backers | |
|-------------|---------------|
| Description | Length |
| 2x6 Backer | 5' - 8 19/32" |
| 2x6 Backer | 5' - 8 19/32" |
| | 11' - 5 5/32" |

| Electrical Utilities | | |
|----------------------|-------------------------------|-----|
| Mark | Description | Qty |
| E1 | GFI Grade Outlet & Face Plate | 1 |

| Plumbing Utilities | | |
|--------------------|-------------------|-----|
| Mark | Description | Qty |
| H | Hot Water Supply | 1 |
| C | Cold Water Supply | 1 |
| D | Sanitary DWV | 1 |



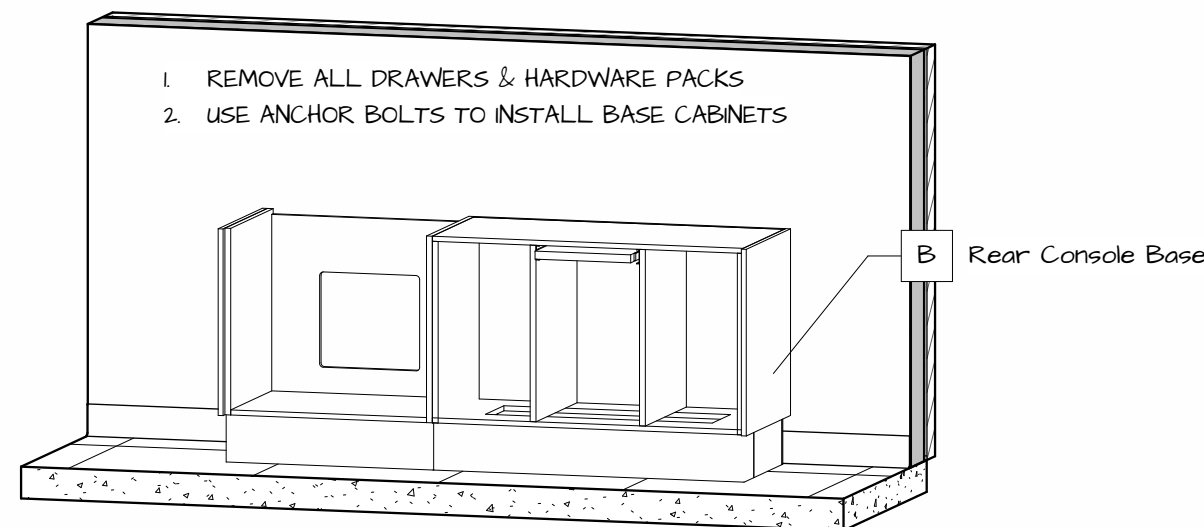
2 Utilities Access



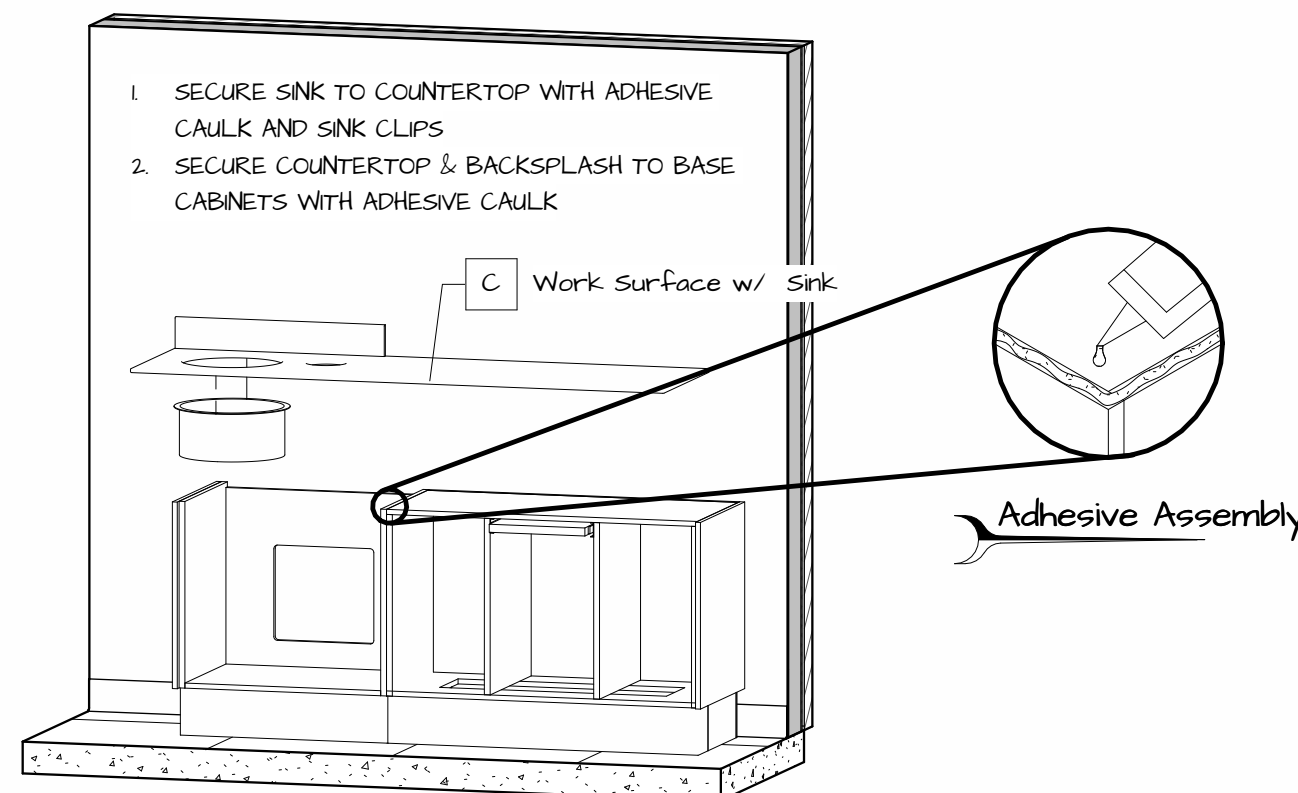
| Packing List | | |
|--------------|------------------------|-----|
| Mark | Description | Qty |
| | #2 3" Wood Screws | 8 |
| | 1/4"-20 Long Bolts | 4 |
| | 1/4"-20 Short Bolts | 6 |
| | 12v Power Supply | 1 |
| | Anchor Bolts | 8 |
| | Sink | 1 |
| | Strainer | 1 |
| | Tube of Caulk | 1 |
| B | Rear Console Base | 1 |
| C | Work Surface w/ Sink | 1 |
| F | Faucet | 1 |
| M | Rear Mid Cabinet | 1 |
| PI | Door/Drawer Pull | 14 |
| S | Soap Dispenser | 1 |
| U | Upper Dispense Cabinet | 1 |

3 Final Installation View

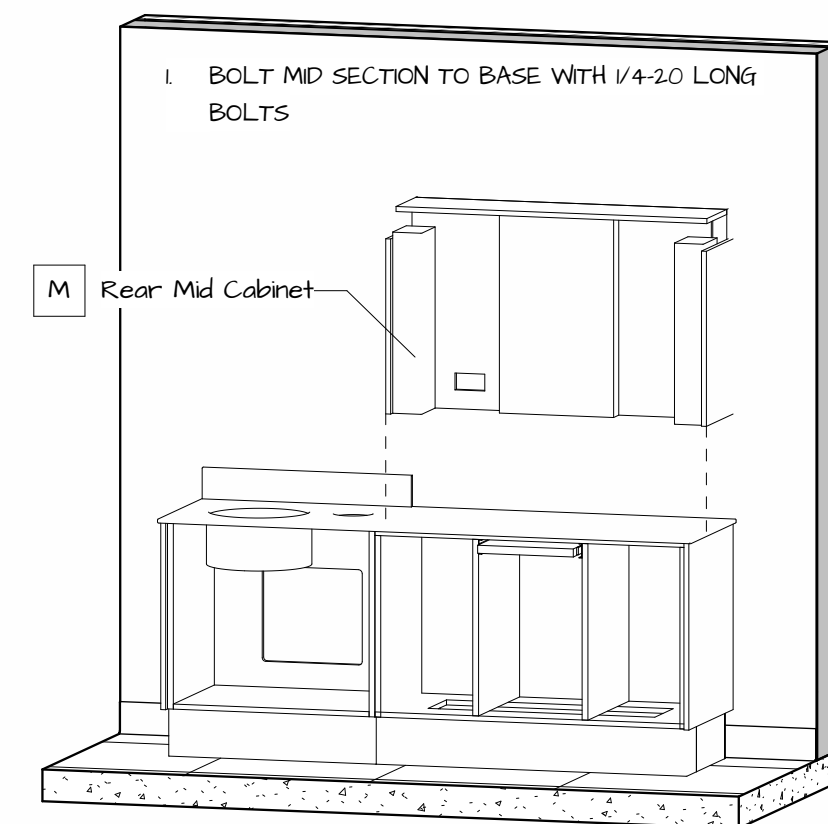
1 Utilities Location



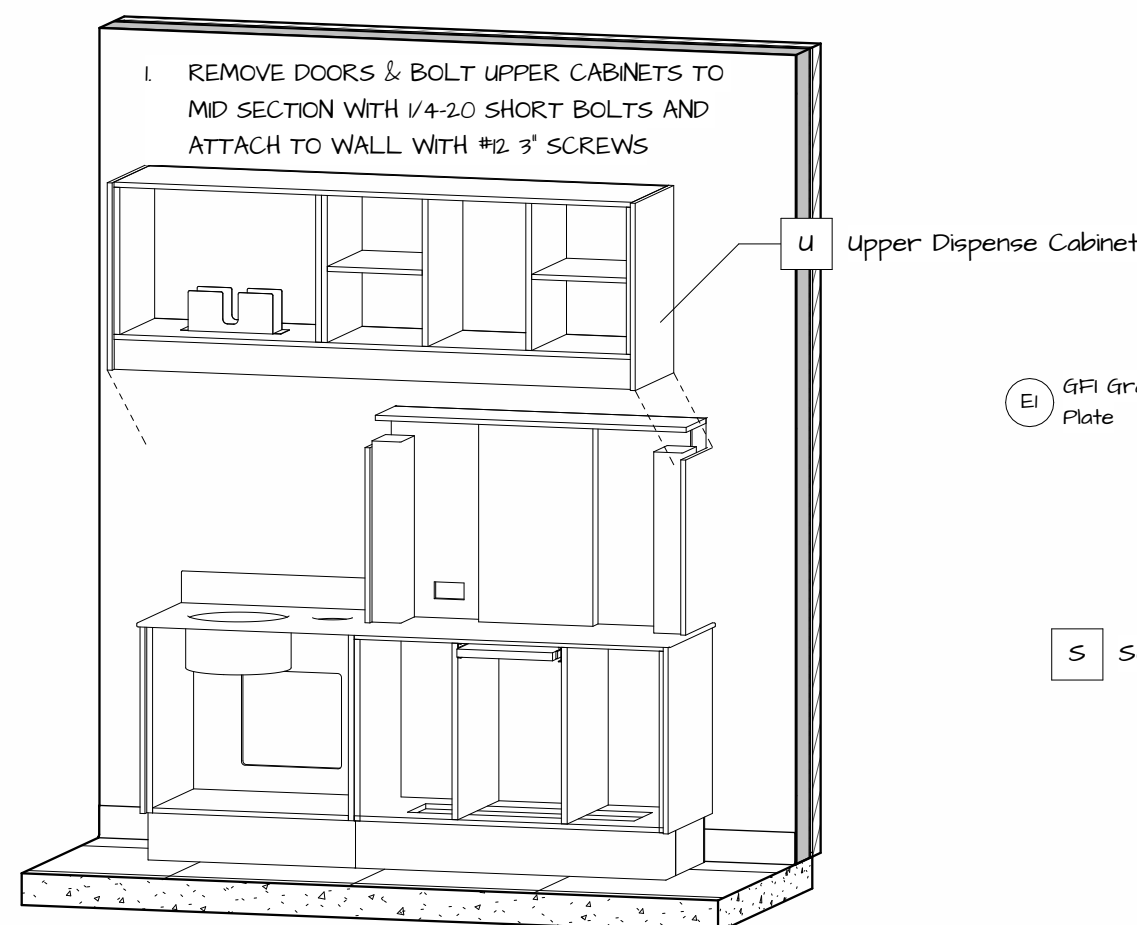
2.1 Install Base Cabinets



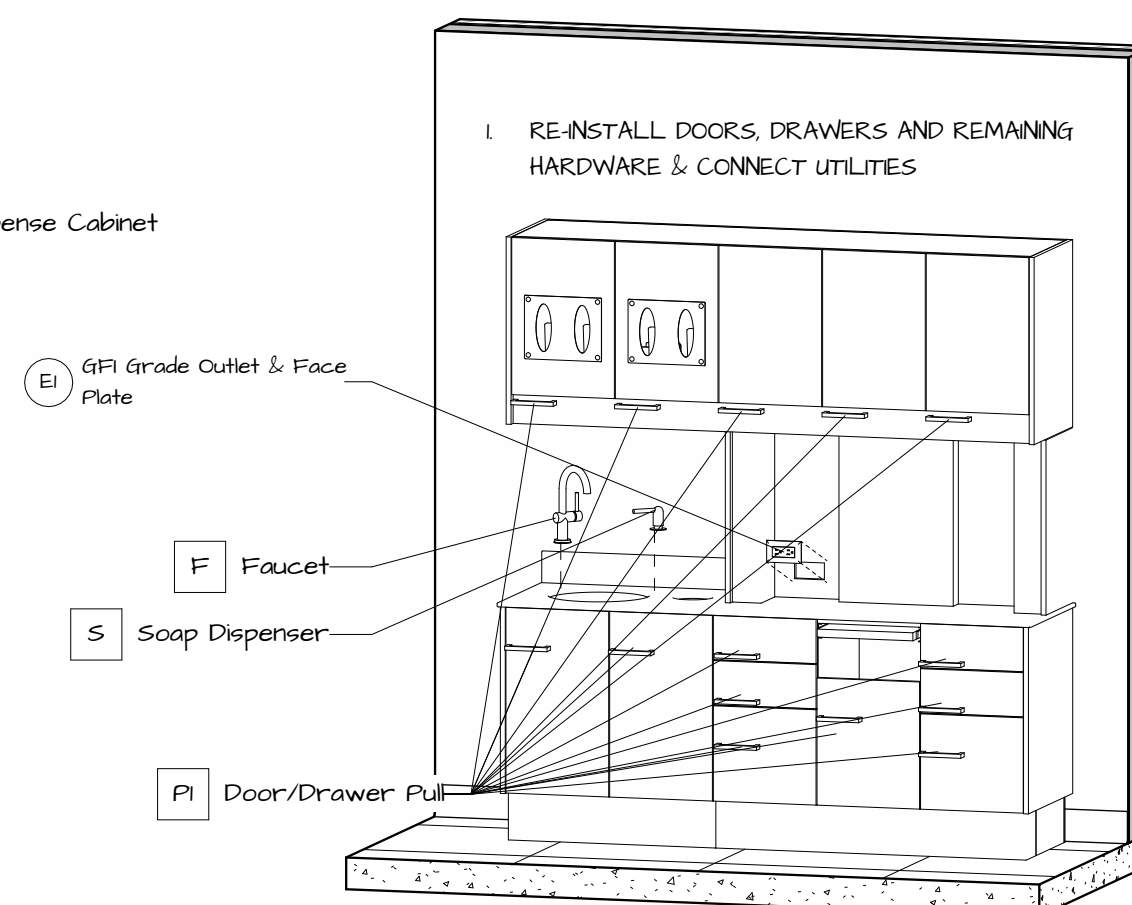
2.2 Install CounterTop



2.3 Install Mid Section



2.4 Install Upper Cabinets



2.5 Install Hardware

anthos
NOVA Solutions Inc.
217-342-7070
sales@novasolutionsinc.com

| Installation Drawing | | Prepared For: NOVA Solutions Inc. |
|----------------------|-----------------------|-----------------------------------|
| LINEA | | |
| Project | REAR TREATMENT CENTER | I-1 |
| Item # | ALRTC B24-H11-U24 | |
| Drawn by: | Justin Martin | 09/21/24 |
| | | Rev. 1 |