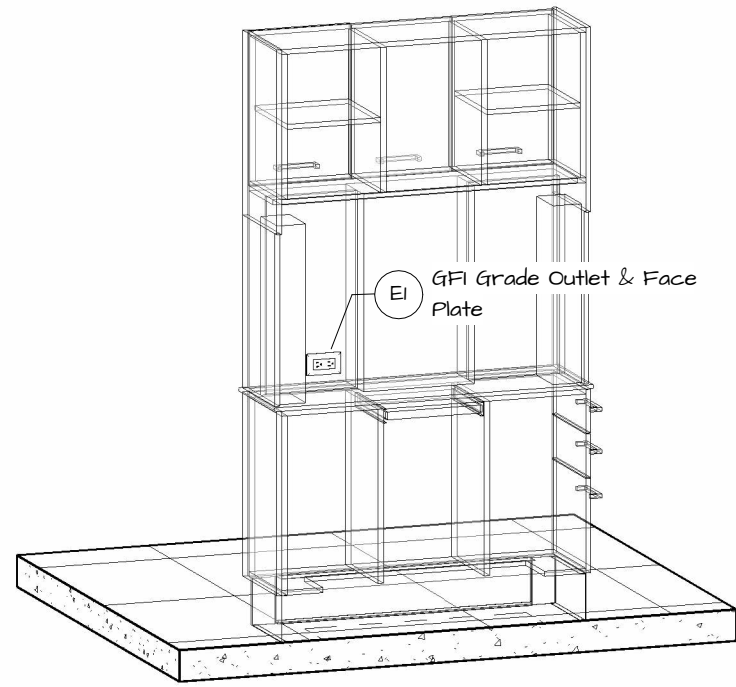
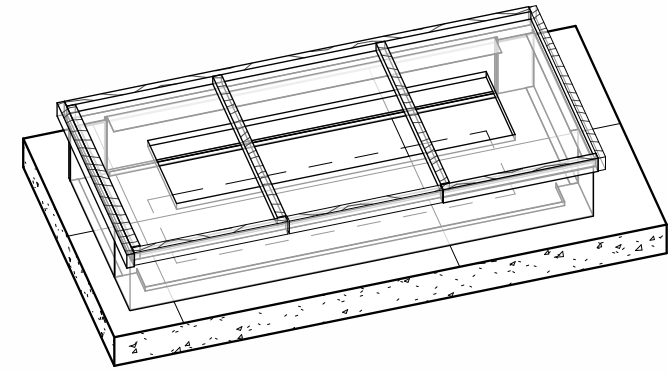


| Electrical Utilities | | |
|----------------------|-------------------------------|-----|
| Mark | Description | Qty |
| E1 | GFI Grade Outlet & Face Plate | 1 |

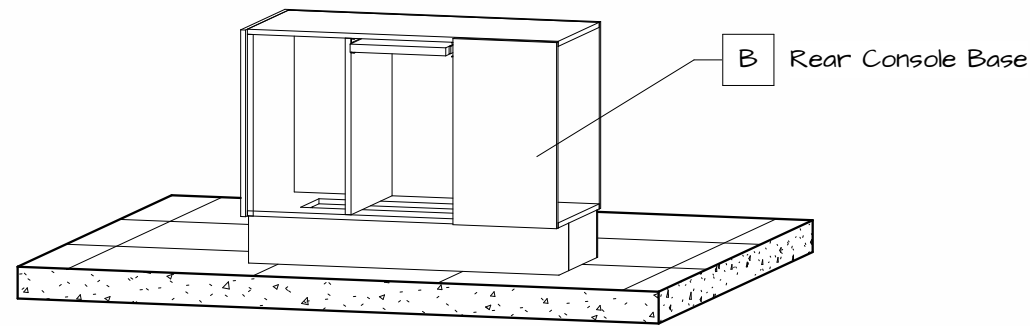


1 Utilities Location



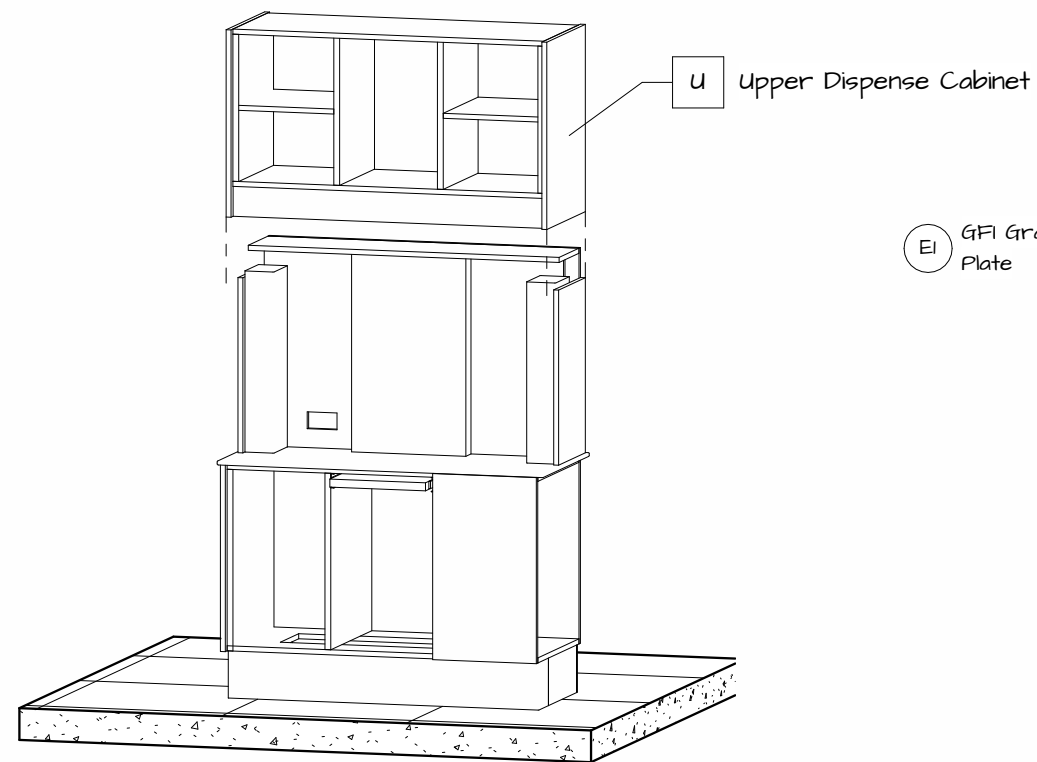
2 Utilities Access

1. REMOVE ALL DRAWERS & HARDWARE PACKS
2. USE ANCHOR BOLTS TO INSTALL BASE CABINETS



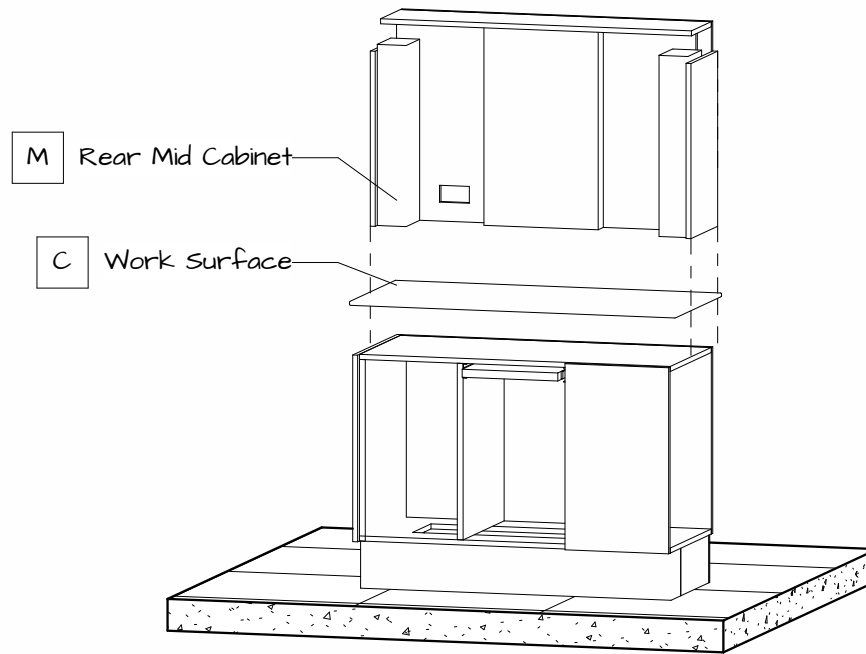
2.1 Install Base Cabinets

1. BOLT UPPER CABINETS TO MID SECTION WITH 1/4-20 SHORT BOLTS



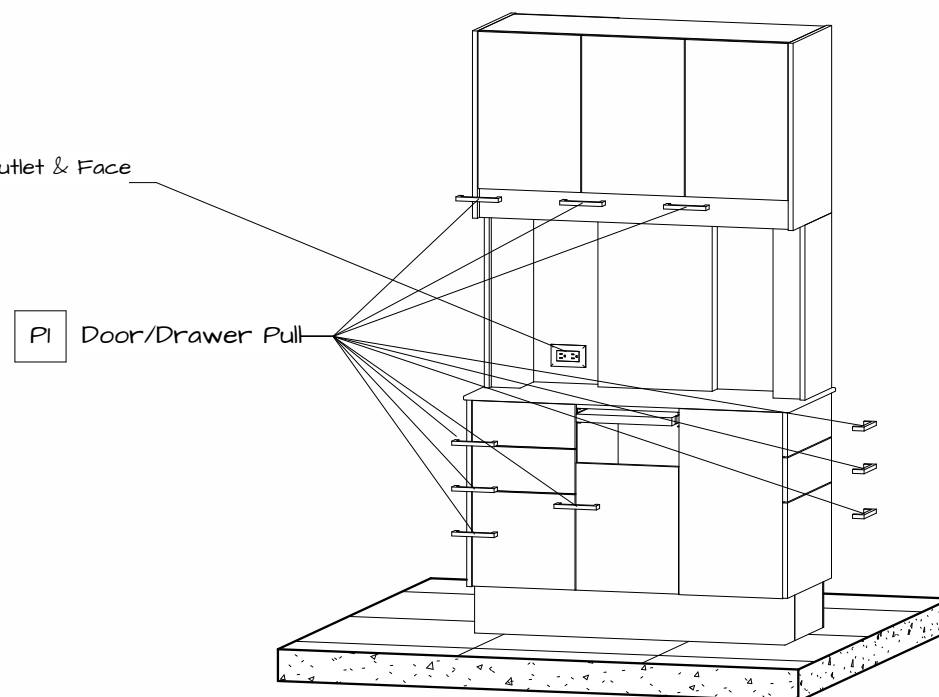
2.3 Install Upper Cabinets

1. BOLT MID SECTION & WORK SURFACE TO BASE WITH 1/4-20 LONG BOLTS



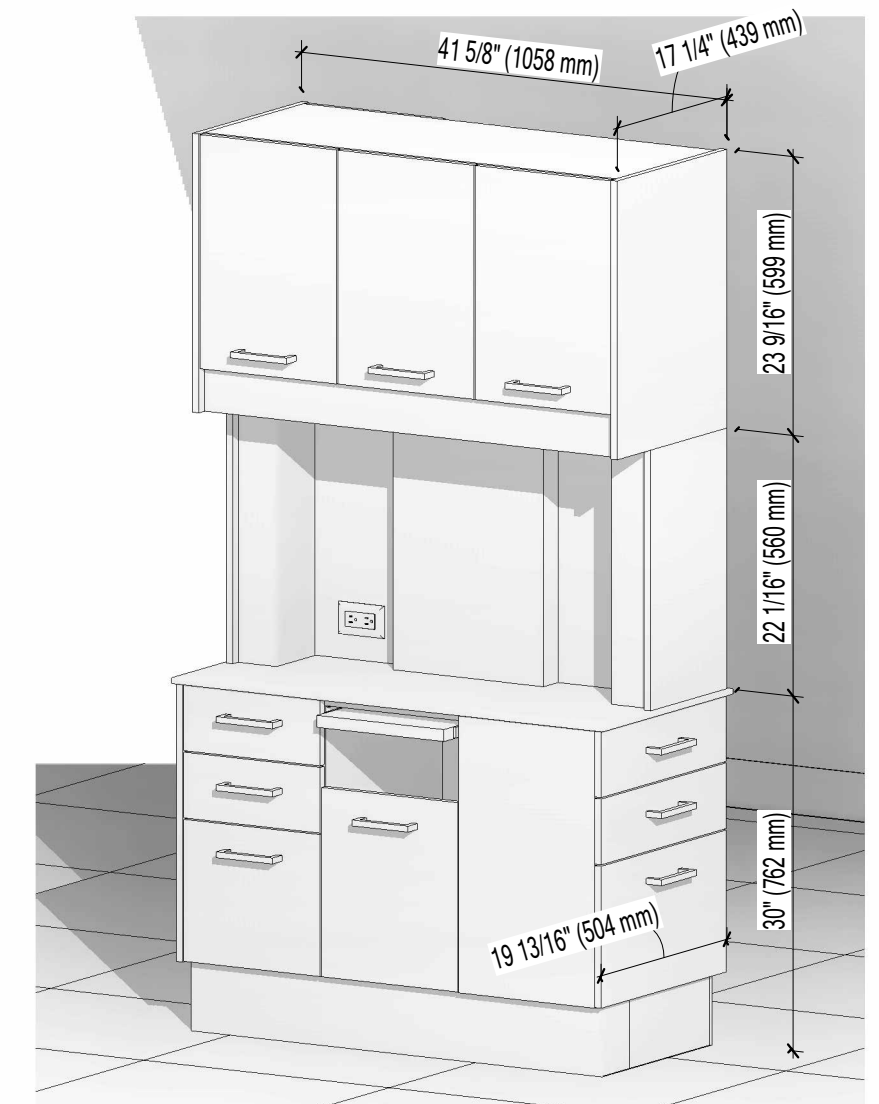
2.2 Install Mid Section

1. REINSTALL DOORS/DRAWERS
2. INSTALL HARDWARE & CONNECT UTILITIES & 12V POWER SUPPLY TO TASK LIGHT



2.4 Install Hardware

| Packing List | | |
|--------------|-------------------------------|-----|
| Mark | Description | Qty |
| | 1/4"-20 Long Bolts | 4 |
| | 1/4"-20 Short Bolts | 6 |
| | 12v Power Supply | 1 |
| | Anchor Bolts | 4 |
| | Strainer | 1 |
| B | Rear Console Base | 1 |
| C | Work Surface | 1 |
| E1 | GFI Grade Outlet & Face Plate | 1 |
| M | Rear Mid Cabinet | 1 |
| PI | Door/Drawer Pull | 13 |
| U | Upper Dispense Cabinet | 1 |



3 Final Installation View



| Installation Drawing | | Prepared For: NOVA Solutions Inc. |
|----------------------|-----------------------|-----------------------------------|
| LINEA | | |
| Project | REAR TREATMENT CENTER | I-1 |
| Item # | ALRTC B14-H11-U11 | |
| Drawn by: | Justin Martin | 09/15/24 |
| | | Rev. 1 |