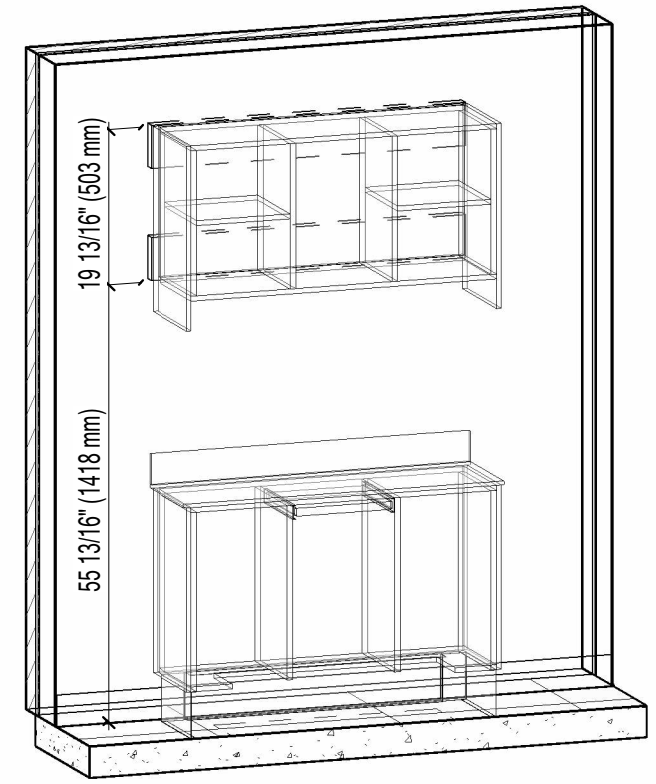
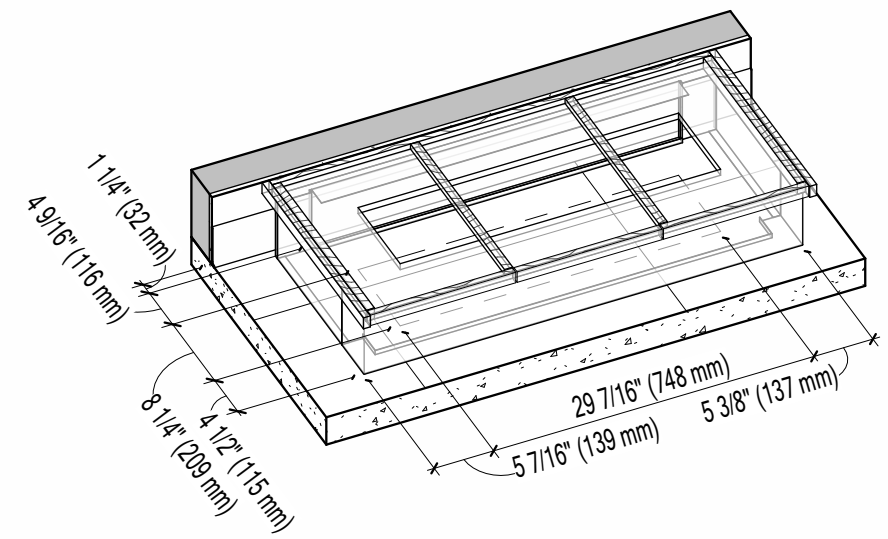


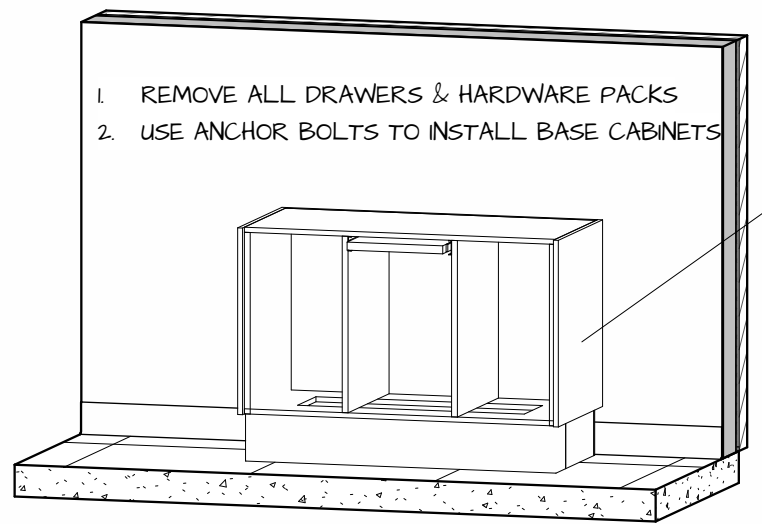
Backers	
Description	Length
2x6 Backer	3' - 5 21/32"
2x6 Backer	3' - 5 21/32"
6' - 11 5/16"	



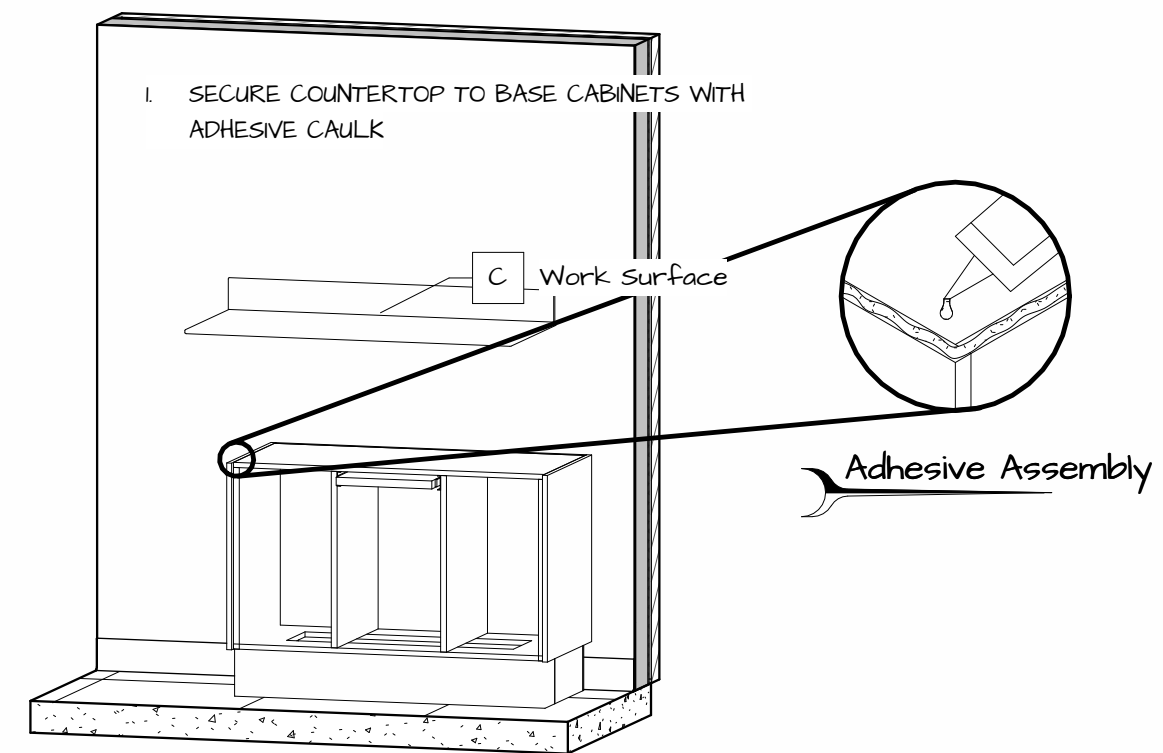
1 Utilities Location



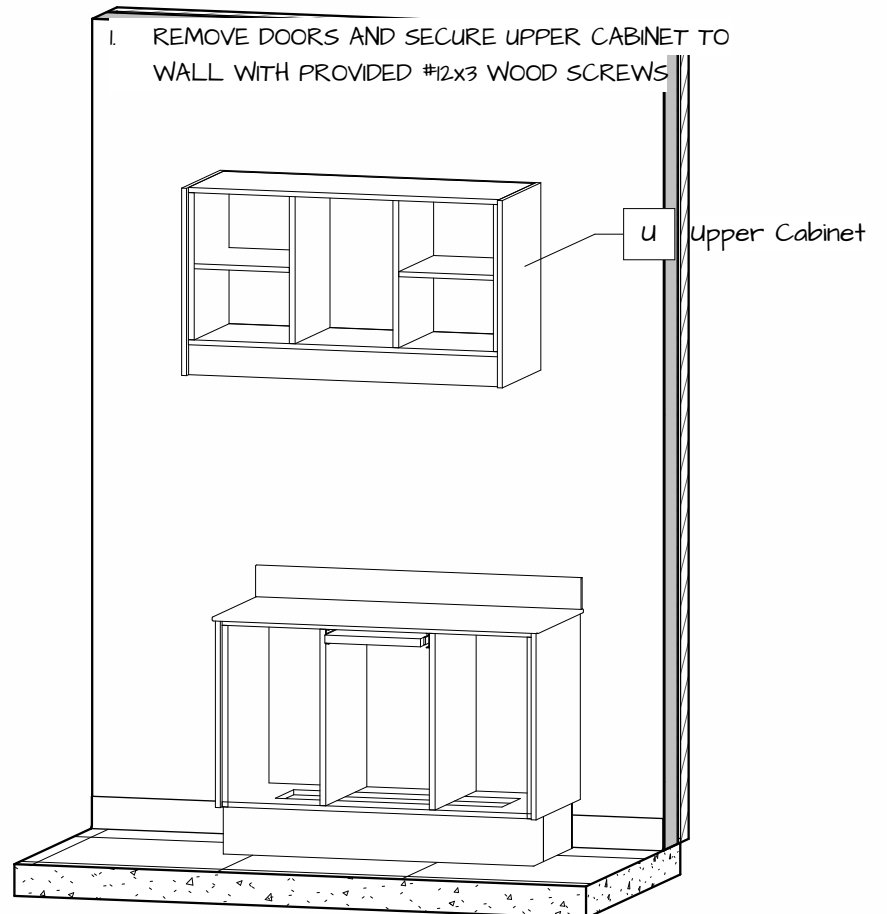
2 Utilities Access



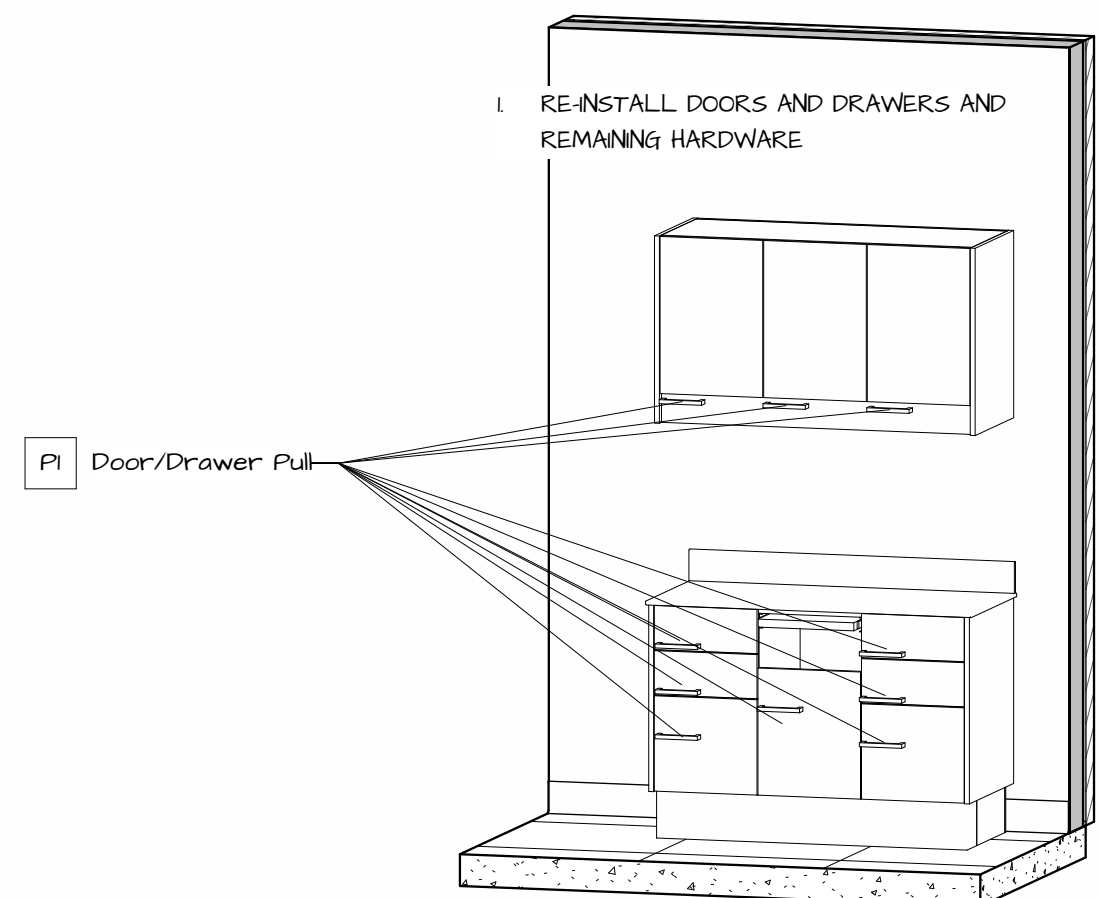
2.1 Install Base Cabinets



2.2 Install CounterTop

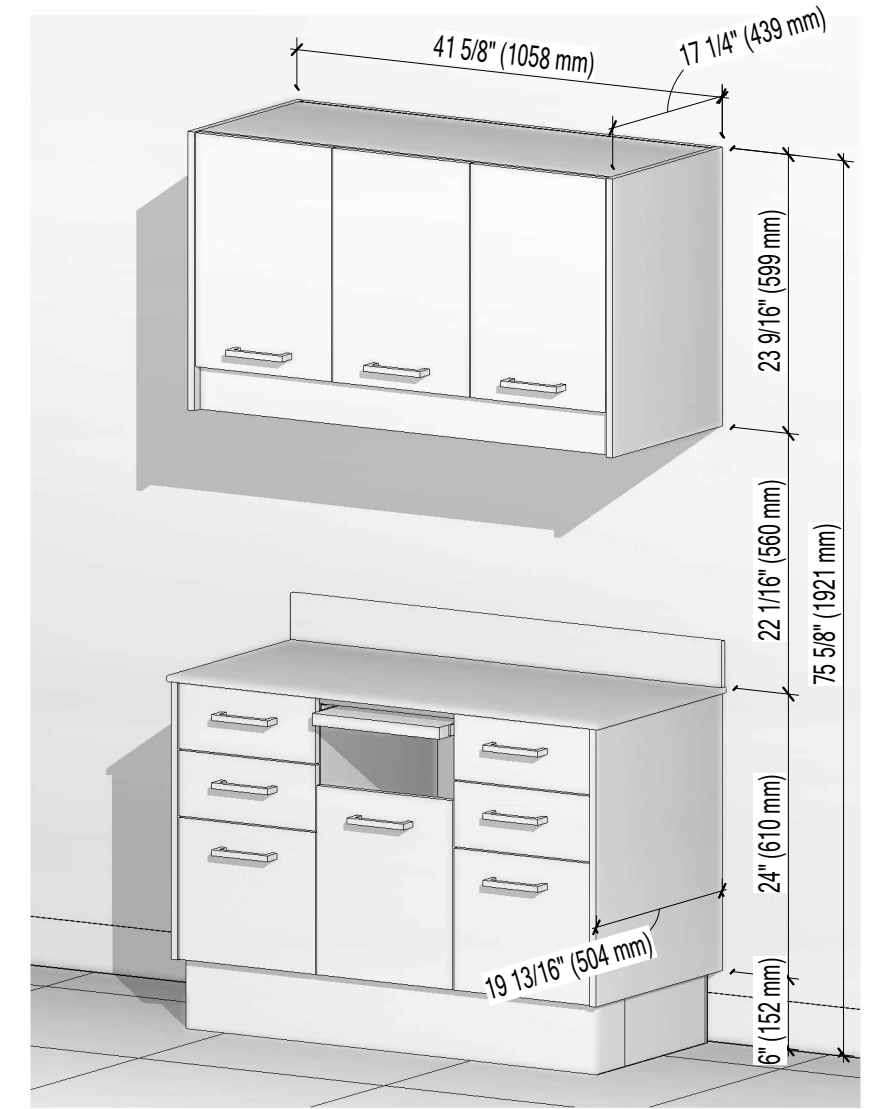


2.3 Install Upper Cabinets



2.4 Install Hardware

Packing List		
Mark	Description	Qty
	#12 3" Wood Screws	4
	Anchor Bolts	4
	Strainer	1
	Tube of Caulk	1
B	Rear Console Base	1
C	Work Surface	1
P1	Door/Drawer Pull	10
U	Upper Cabinet	1



3 Final Installation View



Installation Drawing		Prepared For: NOVA Solutions Inc.
LINEA		
Project	REAR TREATMENT CENTER	
Item #	ALRTC B12-H00-U12	
Drawn by: Justin Martin	Date 1	