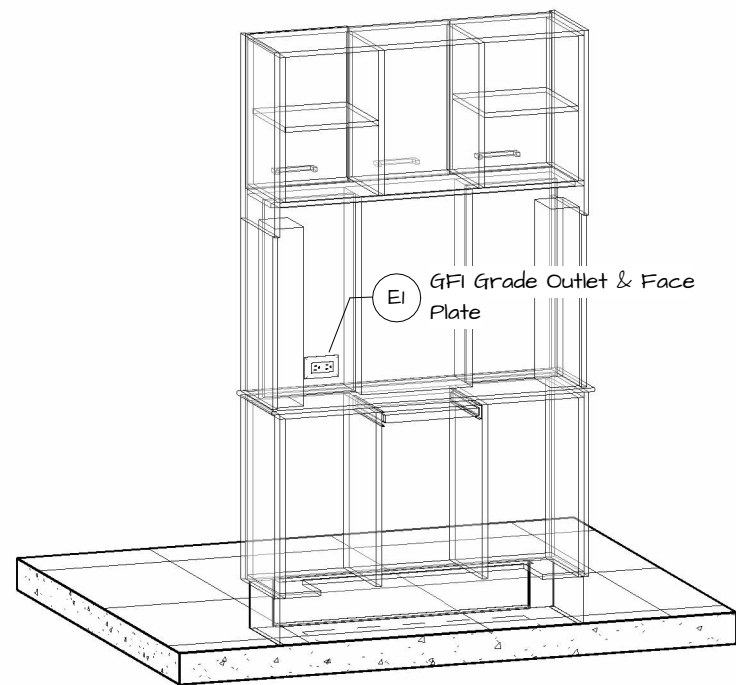
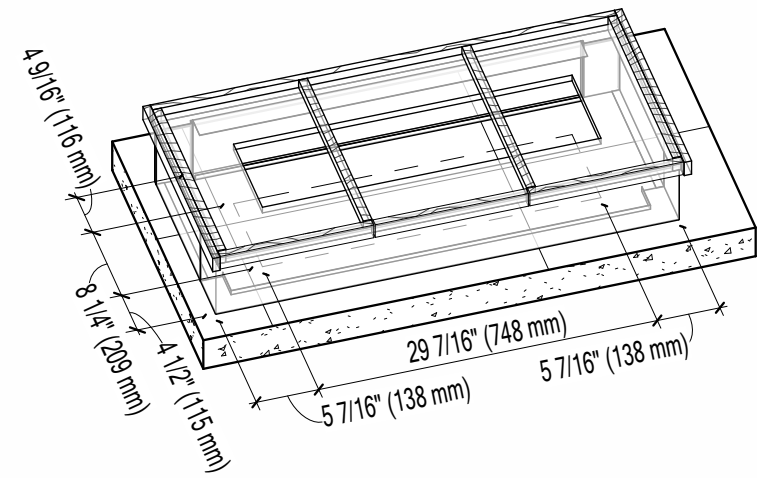


Electrical Utilities		
Mark	Description	Qty
E1	GFI Grade Outlet & Face Plate	1

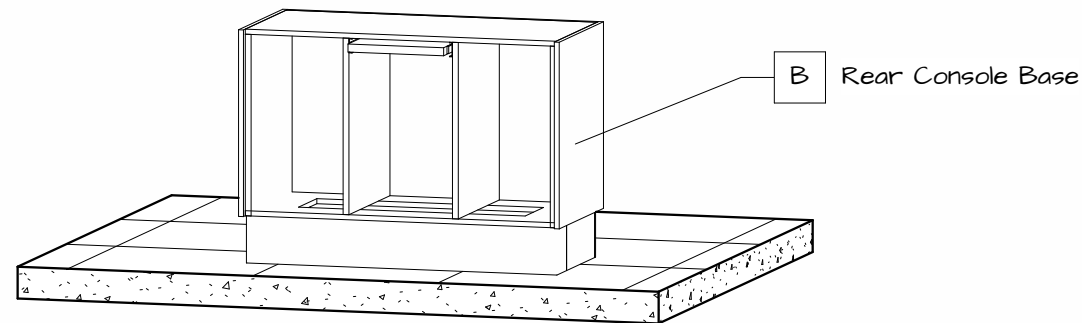


1 Utilities Location



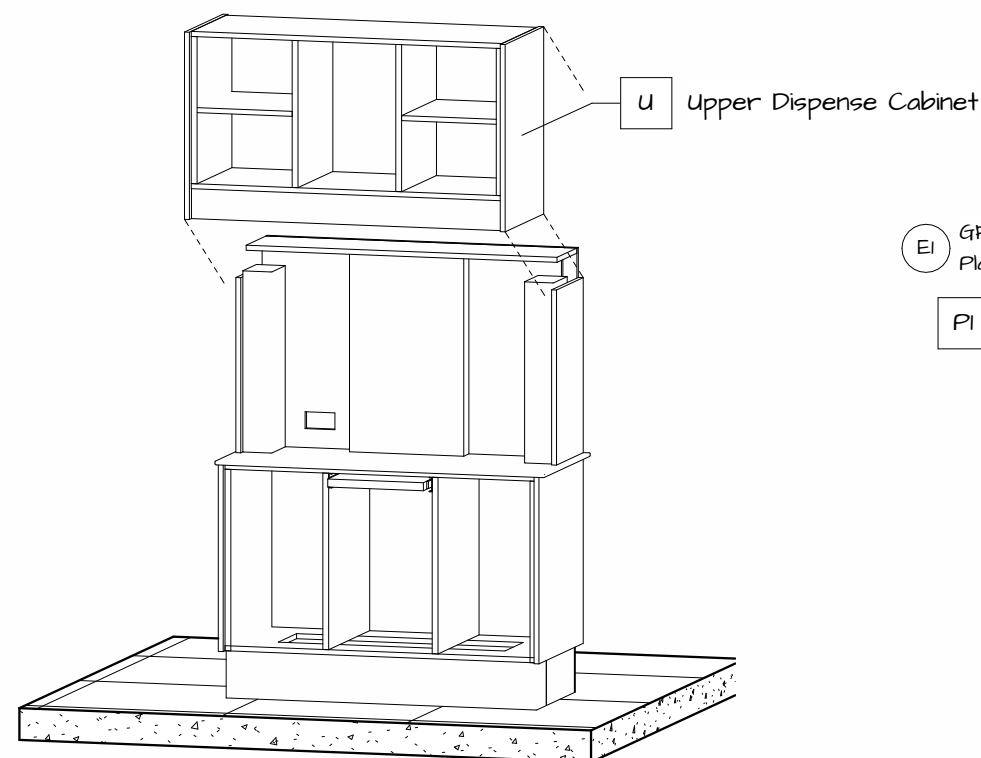
2 Utilities Access

1. REMOVE ALL DRAWERS & HARDWARE PACKS
2. USE ANCHOR BOLTS TO INSTALL BASE CABINETS



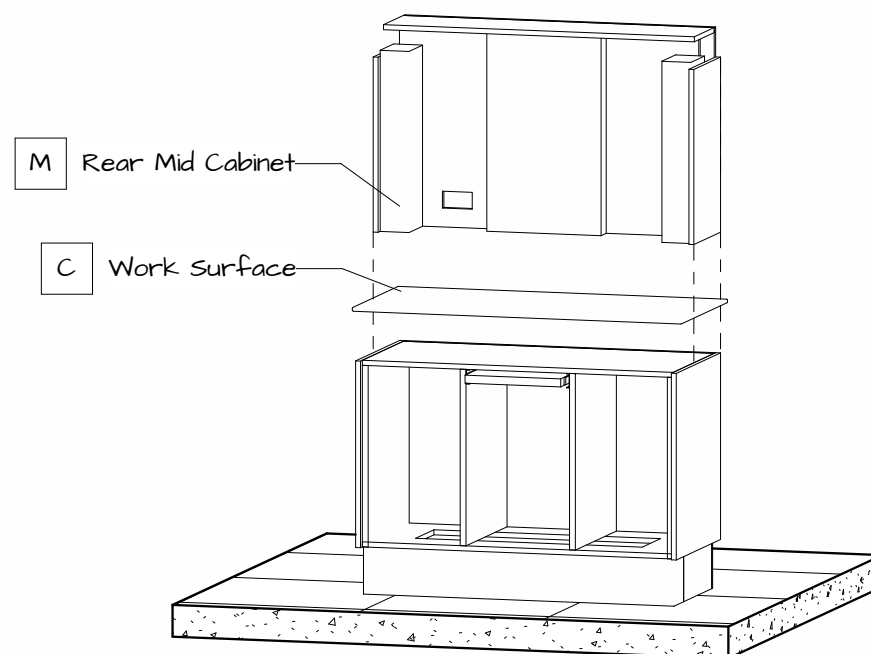
2.1 Install Base Cabinets

1. BOLT UPPER CABINETS TO MID SECTION WITH 1/4-20 SHORT BOLTS



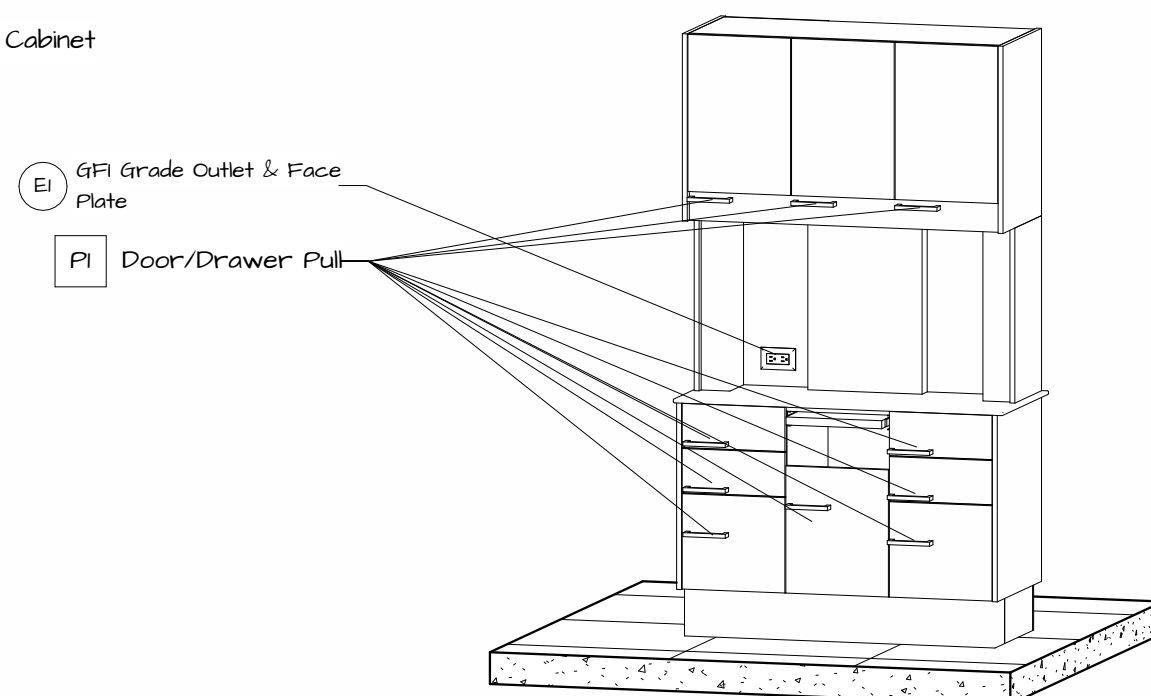
2.3 Install Upper Cabinets

1. BOLT MID SECTION & WORK SURFACE TO BASE WITH 1/4-20 LONG BOLTS



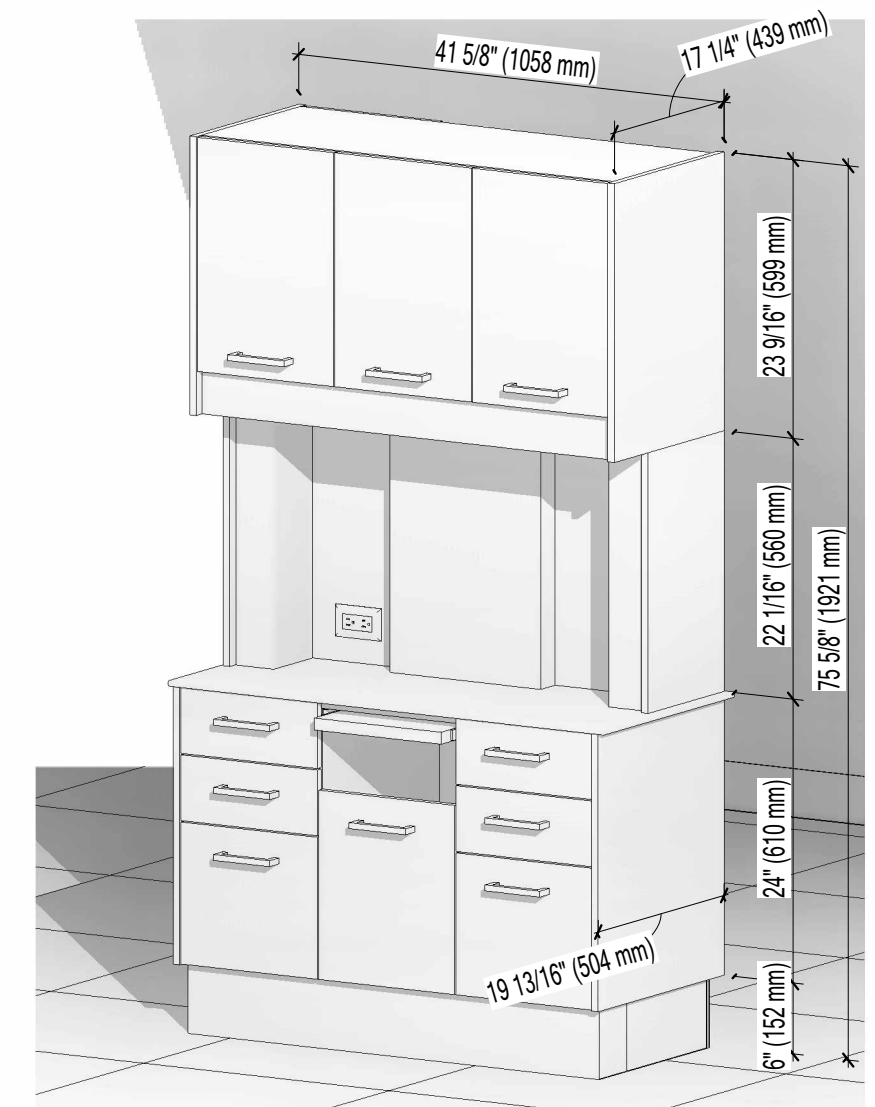
2.2 Install Mid Section

1. REINSTALL DOORS/DRAWERS
2. INSTALL HARDWARE & CONNECT UTILITIES & 12V POWER SUPPLY TO TASK LIGHT



2.4 Install Hardware

Packing List		
Mark	Description	Qty
	1/4"-20 Long Bolts	4
	1/4"-20 Short Bolts	6
	12v Power Supply	1
	Anchor Bolts	4
B	Rear Console Base	1
C	Work Surface	1
E1	GFI Grade Outlet & Face Plate	1
M	Rear Mid Cabinet	1
P1	Door/Drawer Pull	13
U	Upper Dispense Cabinet	1



3 Final Installation View



Installation Drawing		Prepared For: NOVA Solutions Inc.
LINEA		
Project	REAR TREATMENT CENTER	
Item #	ALRTC B11-H11-U11	
Drawn by: Justin Martin	07/21/24	I-1
		Rev. 1